



# KABELSTIGESYSTEM CABLE LADDER SYSTEM Type LOE



Being first is good, being smart is better, being both is Simply the Best!



# PRODUKT- INFORMASJON

Øglænd System tilbyr opphengssystemer tilpasset alle faggrupper, kabelstiger, kabelbaner, koblingsboksstativ, rørklammer, kabelklammer (trefoil cleats), varmekabler, styringssystemer m.m.

**Har du spørsmål?  
Vennligst ta kontakt.**

Firmapresentasjon  
Company presentation

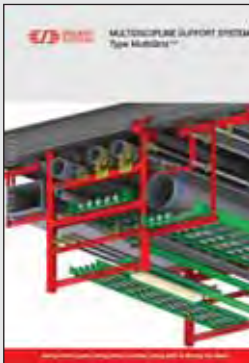
Last ned siste versjon av våre produktkataloger fra:

Download our latest version of product catalogues from: [www.oglaend-system.com](http://www.oglaend-system.com)

# PRODUCT INFORMATION

Øglænd System offer a broad range of cable support systems for all applications, e.g. cable ladders, cable trays, junction box racks, tubing clamps, cable cleats, heating cables, control systems etc.

**If you need further information,  
please do not hesitate to contact us!**



# Innhold: Contents:

## MATERIAL NAVN / MATERIAL TYPES:

PG = Pregalvanisert stål	Pre galvanized steel	20 my zink
HDG = Varmgalvanisert	Hot Dip Galvanized	NS/ISO 1461*
SS = Rustfritt stål	Stainless Steel	AISI 316L**
AL = Aluminium	Aluminium	5052 H22/H32
CS = Ubehandlet stål	Carbon steel (Black steel)	EN 10025-S355J2

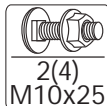
\*) Steel quality for HDG: Steel grade EN 10130 Grade DC01

\*\*) Steel quality for SS: EN 1.4404

Andre kvaliteter på forespørsel / Other material qualities on request.

## SYMBOLER FOR SKRUER / SYMBOLS FOR SCREWS:

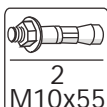
Symbolet viser skruetype, **minimum antall** og typebenevnelse. **Bestillingsnummer er på s. 25.**



This symbol shows type of screw, **the number needed** and name. **For order no. – see page 25.**

### SYMBOLEKSEMPLER:

Ekspansjonsbolter  
Behov: 2 stk.  
Type M10x55



### SYMBOL EXAMPLES:

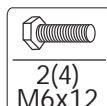
Expansion bolts  
2 pcs. needed.  
Type M10x55.

Låseskrue m. linsehode  
Behov: 1 stk.  
Type M10x20.



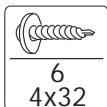
Locking screws  
1 pcs. needed.  
Type M10x20.

Sekskantskrue  
Behov: Min. 2 stk.  
(4) Kan brukes\*.  
Type M6x12.



Hexagonal screws  
Minimum 2 pcs. needed.  
(4) May be used\*.  
Type M6x12.

Selvborende skrue  
Behov: 6 stk.  
Type 4x32.



Self tapping screw  
6 pcs. needed.  
Type 4x32.

### Standard:

#### Skruer er inkludert!

Oppgitt skruerantall før parentes leveres standard med delene.

#### (4) Skruer i parentes er IKKE inkludert!

Ved spesielle forhold sikres montasen med antall oppgitt i parentes. Disse ekstra skruene bestilles separat.

### Standard:

#### Screws are included!

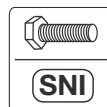
The number of screws and nuts before the brackets are included when ordering the part.

#### (4) Screws in brackets are NOT included!

The number in brackets represents the number of screws that can be fitted to fix the part. These must be ordered separately.

### Skruer IKKE inkludert!

SNI: Skrue ikke inkludert.



### Screws NOT Included!

SNI: Screws not included.

Symbolforklaring Explanation of symbols	3
LOE og OE beskrivelse LOE and OE description	4
Stigeprogram Range of cable ladders	6
Skjøtemateriell Splice plates	9
Tilbehør Accessories	10
Utstyr og festemateriell Equipment and fixing materials	12
Konsoller til vegg og skinner Consoles to wall and channels	13
Oppheng til tak – skinner og pendelkonsoller Support to ceilings – channels and central support	14
Enkel oversikt på pendeloppheeng Simple to order central support	15
Pendelkonsoller forts. Central support continue	16
SMART lavtbyggende oppheng til tak SMART support to ceilings with no descender	17
Vertikalfeste, endefeste og vinkler Verical bracket and end bracket	18
Oppheng i stålplatetak Support for corrugated steel roof	19
UNO opphengssystem UNO support system	20
Bjelkeklammer (stål) Beam support (steel)	23
Festemateriell / Gjengestag / Skruer Fixing products / Threaded rods / Screws	24
Perforerte profiler Preslotted profiles	26
Salgskontorer Locations	27



### DNV Type Approval Certificate

Øglænd System's ladder type LOE, TOE and OE are certified by DNV, certificate no. E-8209. The product range is tested according to IEC 61537.

**Patenter og mønsterbeskyttelser**  
Mange av Øglænd Systems produkter er patentert eller mønsterbeskyttet.

**Patents and design applications**  
Many of Øglænd System s products are patented or protected by design applications.

**OE-SYSTEM, 3 types:**  
D.N.V. cert no. E-8209.

	Material thickness	
	HDG	SS
OE-100	2	1,5
OE-125	2	1,5
OE-150	2	1,5

Trinnprofil.  
Rung profile.

OE-systemet anbefales for store belastninger.  
The OE-system is recommended for heavy loads.

100 mm standard  
125 mm on request  
150 mm on request

## Skreddersydd styrke gir best prosjektøkonomi!

Sammenlign for å få optimalt kostnadseffektivt utstyr:

## Tailored strength gives the best project economy!

Compare to get optimal cost efficient equipment:

### OE-STIGEN Fordeler i bruk:

- For store belastninger
- God sidestabilitet
- Ingen skarpe kanter
- Åpne profiler gir bedre korrosjonsbeskyttelse
- Designet med dreneringshull
- Redusert vekt uten tap av styrke.
- Nye muligheter til installasjon av instrumentrør på kabelstiger
- Hull i sidevangen for gjennomføring av kabler eller tubingrør
- En gjennomført løsning med bedre beskyttelse for montøren og av kabler og instrumentrør

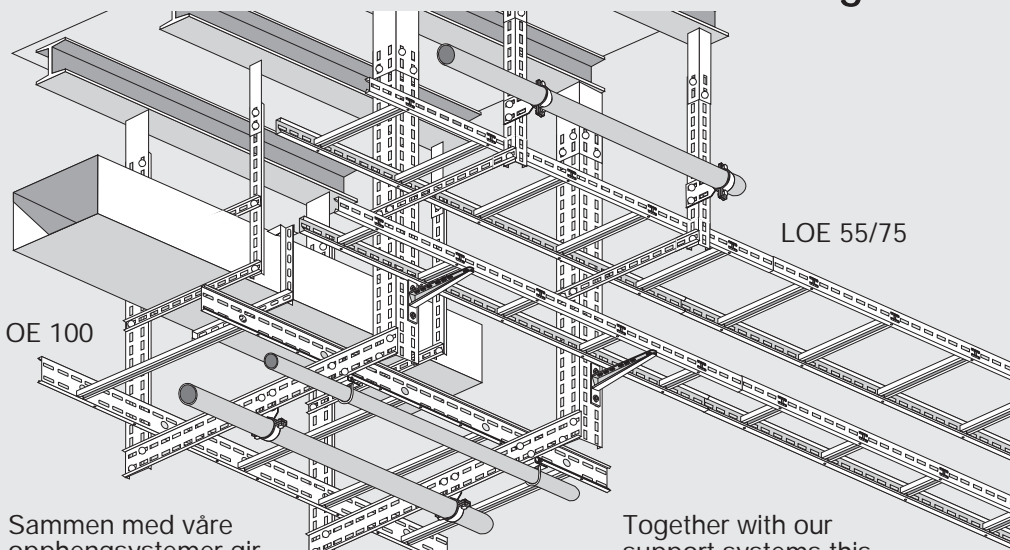
BE OM KOMPLETT OE KATALOG

### THE OE-LADDER Advantages in use:

- ✓ Ideal for heavy loads
- ✓ Good sideways stability
- ✓ No sharp edges
- ✓ Open profiles for better corrosion properties
- ✓ The system is fully drainable
- ✓ Reduced weight without losing strength.
- ✓ New opportunities for the installation of tubing by using cable ladders
- ✓ Way-outs for cables or tubes through holes in the side pieces
- ✓ A proper solution which gives a better protection for the installer as well as the tubes and cables

ASK FOR COMPLETE OE CATALOGUE

## LOE-stigene brukt til olje og gassinstallasjoner. LOE ladders in use for oil and gas installations.

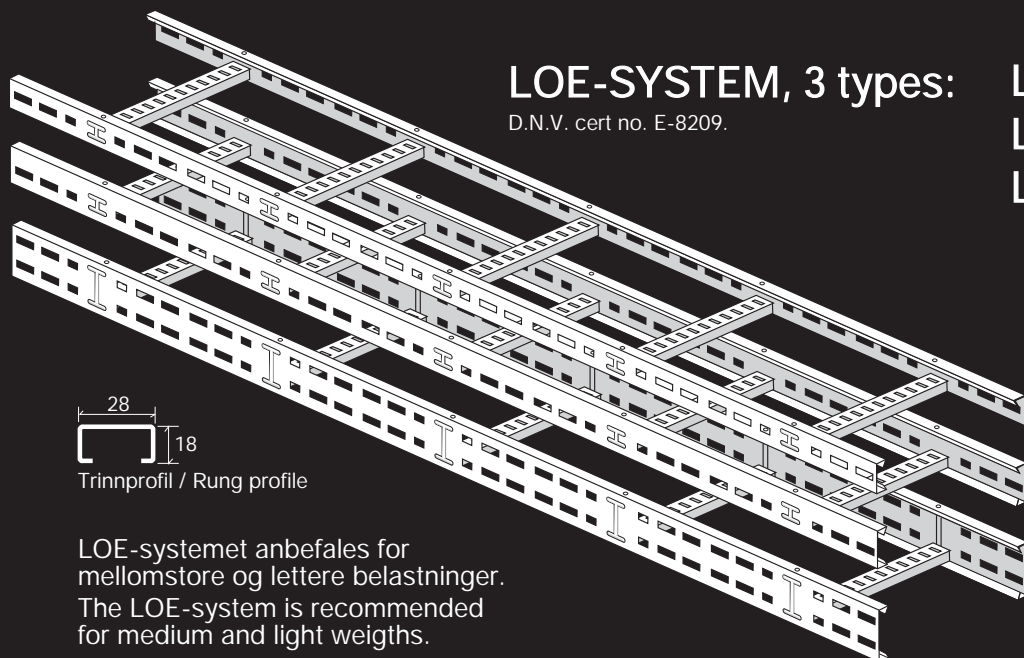


Sammen med våre opphengssystemer gir dette kostnadseffektive løsninger.

Together with our support systems this gives costeffective installations.



Be om katalog/Ask for catalogue



Material thickness  
PG HDG SS

## LOE-SYSTEM, 3 types:

D.N.V. cert no. E-8209.

LOE-55

LOE-75

LOE-100

1 1,25 1

1,25 1

1,5 1,25



Trinnprofil / Rung profile

55 mm standard

75 mm standard

100 mm on request

LOE-systemet anbefales for mellomstore og lettere belastninger.  
The LOE-system is recommended for medium and light weights.

Belastningstabell / Load diagram for	Spenn Spacing	HDG kg/m	SS kg/m
OE-100	3,0 m	217	283
OE-125	3,0 m	400	317
OE-150	3,0 m	448	372

Belastningstabell / Load diagram for	Spenn Spacing	PG kg/m	HDG kg/m	SS kg/m
LOE-55	3,0 m	67	97	67
LOE-75	3,0 m		150	104
LOE-100	3,0 m		217	188

### LOE-STIGEN

En lettvekt som tar tunge løft.

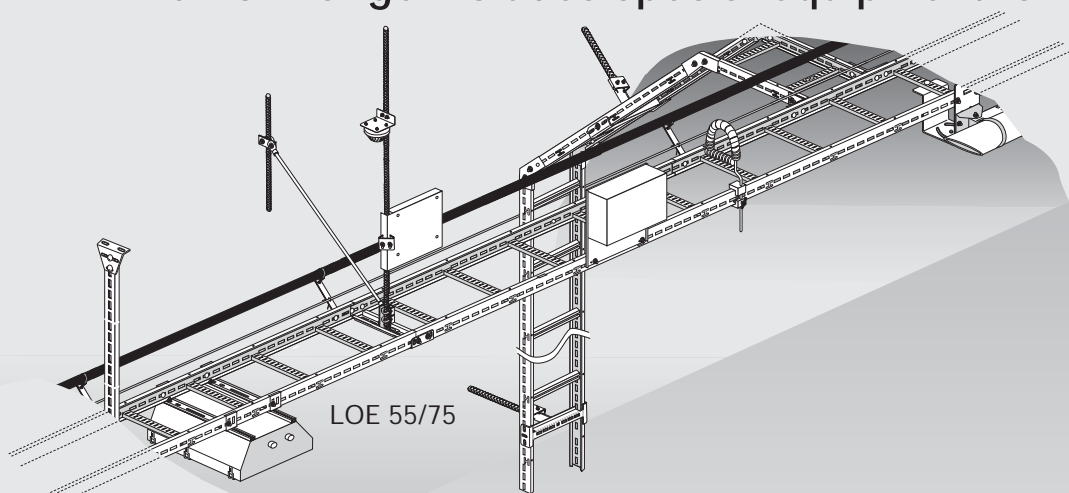
- En lett stige med god styrke ✓
- Perforerte trinn og vanger ✓
- Ingen skarpe kanter ✓
- Åpne profiler gir god korrosjonsbeskyttelse ✓
- Gjennomført med dreneringshull ✓
- Rask og enkel installasjon ✓

### THE LOE-LADDER

A fly-weight also for heavy load.

- Light-weight ladder with great strength ✓
- Pre-slotted rungs and side pieces ✓
- No sharp edges ✓
- Open profiles for better corrosion properties ✓
- The system is fully drainable ✓
- Easy to install ✓

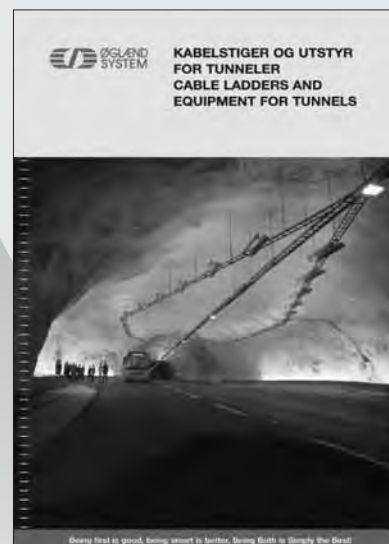
LOE-sortimentet inkluderer spesialutstyr for tunnelinstallasjoner.  
The LOE range includes special equipment for tunnel installations.



LOE 55/75

For smarte og kostnads-besparende løsninger se vår tunnelbrosjyre.

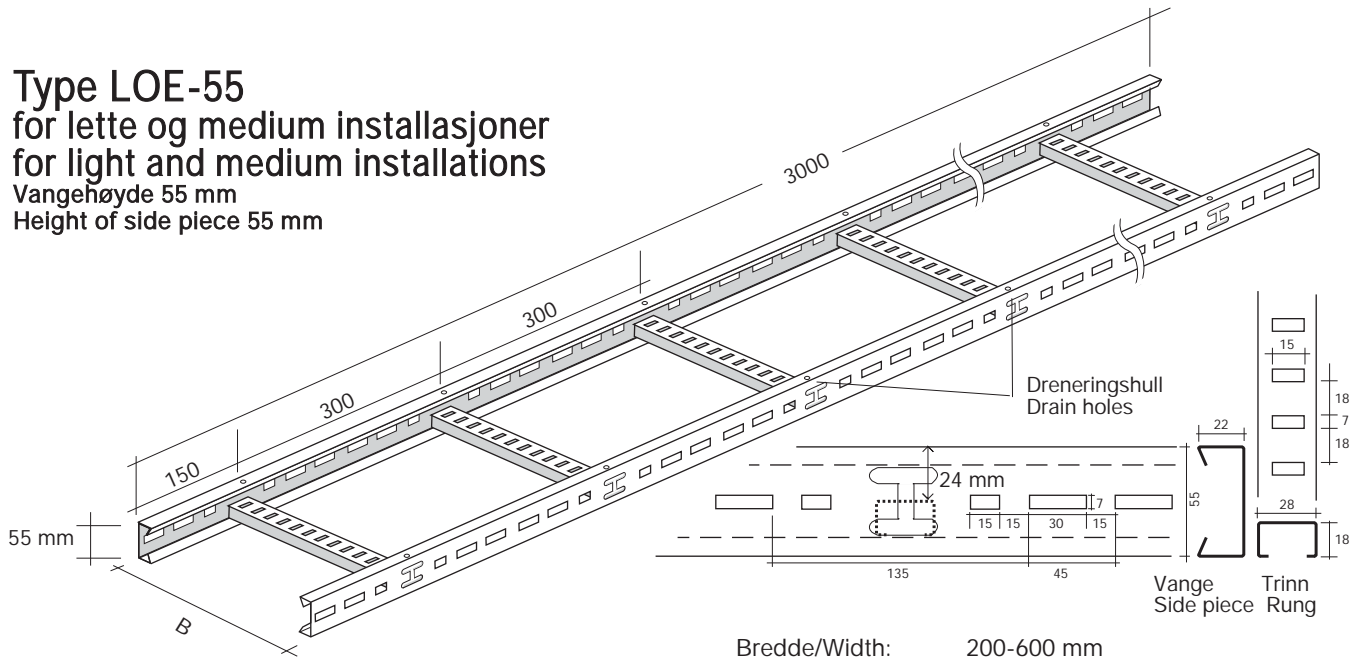
For smart and cost effective solutions study our catalogue for tunnel equipment.



Be om katalog/Ask for catalogue

## Type LOE-55 for lette og medium installasjoner for light and medium installations

Vangehøyde 55 mm  
Height of side piece 55 mm



Bredde/Width: 200-600 mm  
Lengde/Length: 3 m  
På forespørsel /  
On request: Epoxy coated and special treatment.

**Material thickness:**  
PG = 1mm material

### LOE-55 stiger Medium belastning LOE-55 Ladders Medium duty

Type angir vangehøyde og stigebredde.  
Type states height of side piece and ladder width.

Type	PG Art. no.	Weight PG Kg/m
LOE-55-200	1371500	2,0
LOE-55-300	1371501	2,2
LOE-55-400	1371502	2,3
LOE-55-500	1371503	2,5
LOE-55-600	1371504	2,7

Oppfyller EL-AMA 98 - tung kabelstige

**Material thickness:**  
HDG = 1,25mm material  
SS = 1mm material

### LOE-55 stiger Medium belastning LOE-55 Ladders Medium duty

Type angir vangehøyde og stigebredde.  
Type states height of side piece and ladder width.

Type	HDG Art. no.	SS Art. no.	Weight HDG / SS kg/m	
LOE-55-200	1371511	1372330	2,7	2,2
LOE-55-300	1371512	1372331	3,0	2,4
LOE-55-400	1371513	1372332	3,2	2,6
LOE-55-500	1371514	1372333	3,5	2,8
LOE-55-600	1371515	1372334	3,8	3,4

Oppfyller EL-AMA 98 - tung kabelstige

### BELASTNINGSDATA LOE-55.

**Lasteevne pr. m:** Tabellen viser maksimalt tillatt belastning ved 1 og 1,25 mm materialtykkelse, inkludert sikkerhetsfaktor 1,7. Testprosedyren betinger at lengden på endespannet reduseres til 3/4 av supportavstanden.

### LOAD DATA LOE-55.

**Capacity per m:** The table shows maximum allowed safe working load with 1 and 1,25 mm material thickness, including a safety factor of 1,7. According to the test procedure the length of the end span must be reduced to 3/4 of the support spacing.

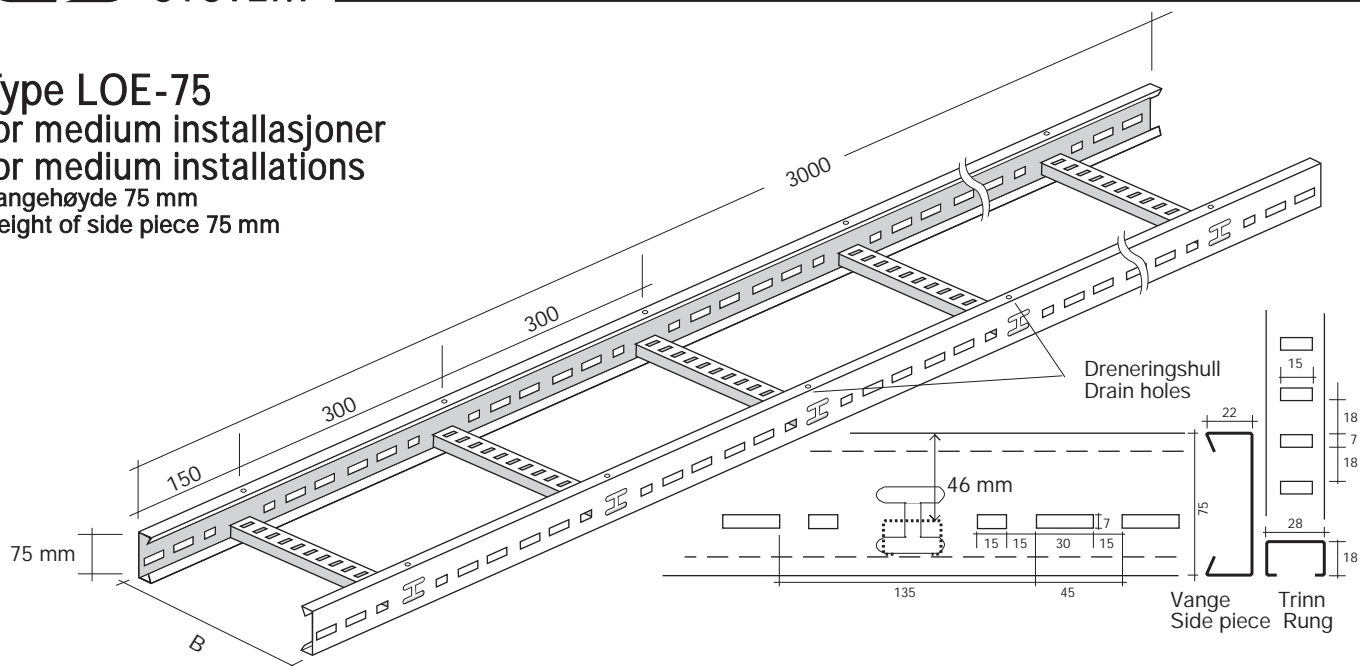
Opphengsavst. Support spacing	LOE-55* PG kg/m	LOE-55* HDG kg/m	LOE-55* SS kg/m
2,0 m	132	176	128
3,0 m	67	97	67
4,0 m	31	25	31

\*) SWL: Safe Working Load

Alle tester er utført i henhold til IEC 61537  
All tests are according to IEC 61537.

## Type LOE-75 for medium installasjoner for medium installations

Vangehøyde 75 mm  
Height of side piece 75 mm



**Material thickness:**  
HDG = 1,25mm material  
SS = 1mm material

Bredde/Width: 200-600 mm  
Lengde/Length: 3 m  
På forespørsel /  
On request: Epoxy coated and special treatment.

### LOE-75

Type angir vangehøyde og stigebredde.  
Type states height of side piece and ladder width.

Type	HDG	SS	Weight	
	Art. no.	Art. no.	HDG /	SS kg/m
LOE-75-200	1372647	1372335	3,0	2,5
LOE-75-300	1372015	1372336	3,3	2,7
LOE-75-400	1372649	1372337	3,6	2,9
LOE-75-500	1372016	1372338	3,8	3,2
LOE-75-600	1372651	1372339	4,1	3,5

Oppfyller EL-AMA 98 - tung kabelstige,  
med god margin.

### BELASTNINGSDATA LOE-75.

#### Lasteevne pr. m:

Tabellen viser maksimalt tillatt belastning ved 1 og 1,25 mm materialtykkelse, inkludert sikkerhetsfaktor 1,7. Testprosedyren betinger at lengden på endespennet reduseres til 3/4 av supportavstanden.

### LOAD DATA LOE-75.

#### Capacity per m:

The table shows maximum allowed safe working load with 1 and 1,25 mm material thickness, including a safety factor of 1,7. According to the test procedure the length of the end span must be reduced to 3/4 of the support spacing.

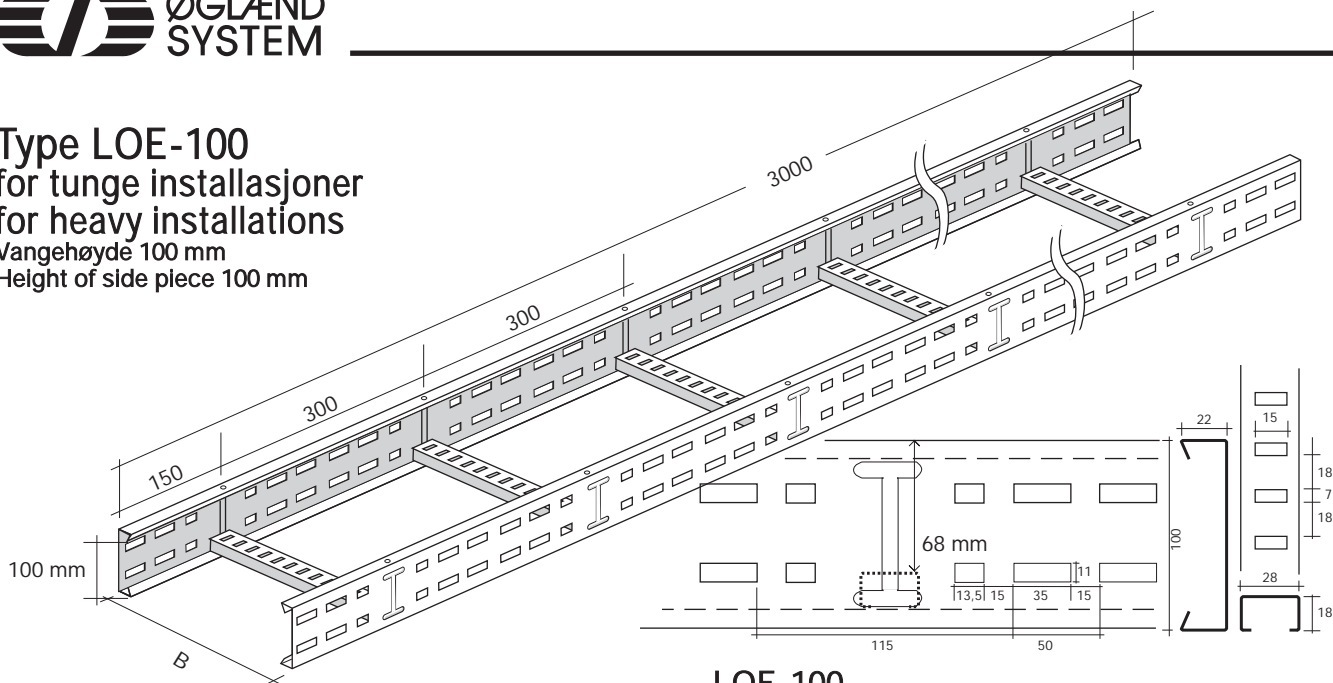
Opphengsavst. Support spacing	LOE-75* HDG kg/m	LOE-75* SS kg/m
2,0 m	304	181
3,0 m	150	104
4,0 m	79	54

\*) SWL: Safe Working Load

Alle tester er utført i henhold til IEC 61537.  
All tests are according to IEC 61537.

## Type LOE-100 for tunge installasjoner for heavy installations

Vangehøyde 100 mm  
Height of side piece 100 mm



### Material thickness:

HDG = 1,5mm material  
SS = 1,25mm material

Bredde/Width: 200-600 mm  
Lengde/Length: 3 m  
På forespørsel /  
On request: Epoxy coated and special widths.

### LOE-100

Type angir vangehøyde og stigebredde.  
Type states height of side piece and ladder width.

Type/Width	HDG Art. no.	SS Art. no.	Weight HDG / SS kg/m	
LOE-100-200	1303360	1303365	4,3	3,6
LOE-100-300	1303361	1303366	4,6	3,9
LOE-100-400	1303362	1303367	4,9	4,1
LOE-100-500	1303363	1303368	5,1	4,3
LOE-100-600	1303364	1303369	5,4	4,5

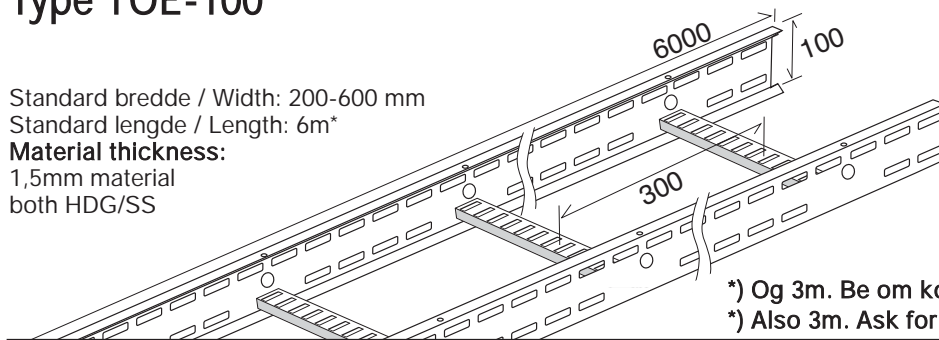
For stor avstand mellom oppheng og til bruk i tunneler  
For long support distances and for use in tunnels

## Type TOE-100

Standard bredde / Width: 200-600 mm  
Standard lengde / Length: 6m\*

### Material thickness:

1,5mm material  
both HDG/SS



Type angir vangehøyde og stigebredde.  
Type states height of side piece and ladder width.

### TOE-100

Type/bredde Type/width	HDG Art. no.	SS Art. no.
TOE-100-200-6	1303370	1303375
TOE-100-300-6	1303371	1303376
TOE-100-400-6	1303372	1303377
TOE-100-500-6	1303373	1303378
TOE-100-600-6	1303374	1303379

### BELASTNINGSDATA LOE-100.

**Lasteevne pr. m:** Tabellen viser maksimalt tillatt belastning ved 1,25 og 1,5 mm materialtykkelse, inkludert sikkerhetsfaktor 1,7. Testprosedyren betinger at lengden på endespennet reduseres til 3/4 av supportavstanden.

### LOAD DATA LOE-100.

**Capacity per m:** The table shows maximum allowed safe working load with 1,25 and 1,5 mm material thickness, including a safety factor of 1,7. According to the test procedure the length of the end span must be reduced to 3/4 of the support spacing.

Opphengsavst. Support spacing	LOE-100* HDG kg/m	LOE-100* SS kg/m
2,0 m	321	316
3,0 m	217	188
4,0 m	119	94

\*) SWL: Safe Working Load

### BELASTNINGSDATA TOE-100.

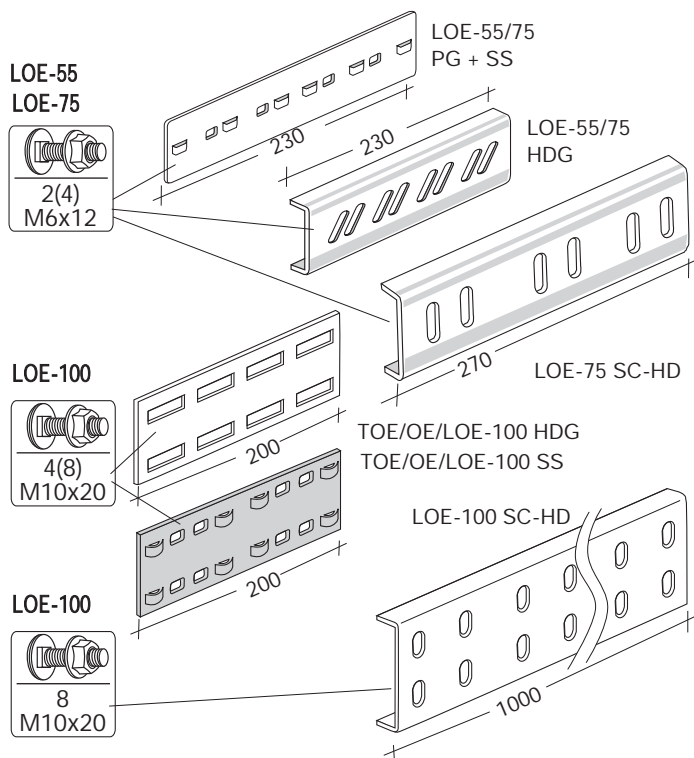
**Lasteevne pr. m:** Tabellen viser maksimalt tillatt belastning ved 1,5 mm materialtykkelse, inkludert sikkerhetsfaktor 1,7. Testprosedyren betinger at lengden på endespennet reduseres til 3/4 av supportavstanden.

### LOAD DATA TOE-100.

**Capacity per m:** The table shows maximum allowed safe working load with 1,5 mm material thickness, including a safety factor of 1,7. According to the test procedure the length of the end span must be reduced to 3/4 of the support spacing.

Opphengsavst. Support spacing	TOE-100* HDG kg/m	TOE-100* SS kg/m
3,0 m	221	266
4,5 m	78	82
6,0 m	45	46

\*) SWL: Safe Working Load



## Skjøtelasker

Skjøtelasker med skruer gir en meget solid forbindelse.

## Splice Connectors

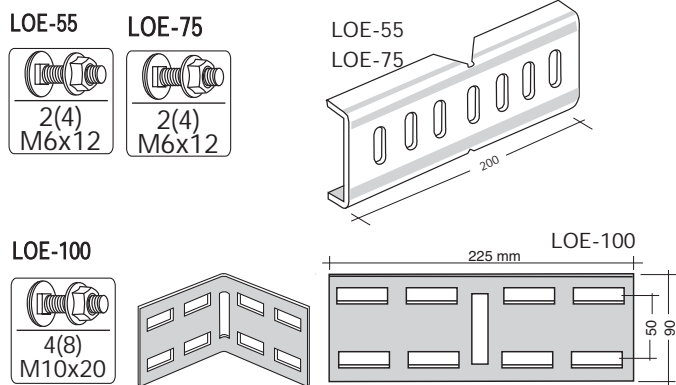
Joint plates for bolting to give very strong joints.

Type	PG Art. no.	HDG Art. no.	SS Art. no.
LOE-55 SC	1371551	1371552	1372370
LOE-75 SC		1372025	1372371
LOE-75 SC-HD		1303327	1303329
LOE-100 SC		1371678	1371681
LOE-100 SC-HD		1303328	1303330

## SC-HD (Splice Connectors Heavy Duty)

LOE-75 SC-HD og LOE-100 SC-HD anbefales ved stor belastning eller lang opphengsavstand.

LOE-75 SC-HD og LOE-100 SC-HD are recommended for heavy load or long support distance.



## Hengse horisontal

Beslag for valgfri horisontal vinkelmontasje.

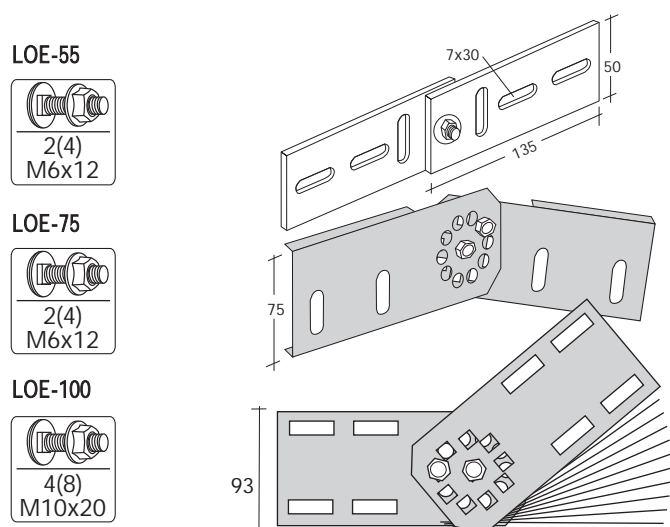
Bøyes etter behov.

## Hinge Horizontal

Plate for optional angle and horizontal installation.

Bends to fit the necessary degrees.

Type	PG Art. no.	HDG Art. no.	SS Art. no.
LOE-55 HH	1371598	1371553	1372372
LOE-75 HH		1372026	1372373
LOE-100 HH		1303331	1303332



## Hengse vertikal

Beslag for valgfri vertikal vinkelmontasje.

## Hinge Vertical

Hinges for alternative vertical angle installations.

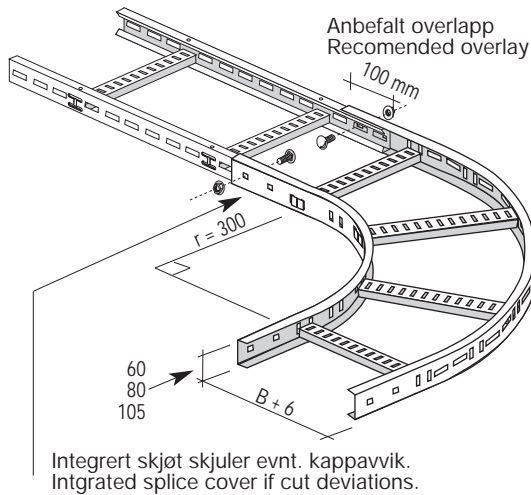
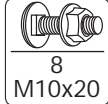
Type	PG Art. no.	HDG Art. no.	SS Art. no.
LOE-55 HV	1371555	1371554	1372374
LOE-75 HV		1372027	1372375
LOE-100 HV		1303333	1371679

Patentert leddbeslag med stabilitet tilsvarende sveiseforbindelse og som med kombinasjonen 9 og 10 hull gir justeringsmulighet i trinn på 4°.

Patented vertical hinge with same stability as if welded. The combination of 9 and 10 holes gives adjustment in steps of 4°.

**LOE-55**

**LOE-75**

**LOE-100**

**90° Bend / Flat Elbow**

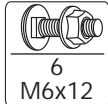
Type angir vinkel, vangehøyde og bredde.

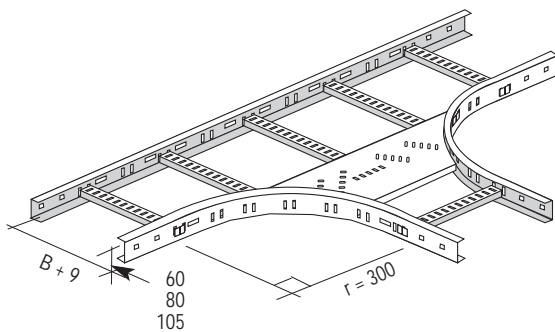
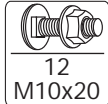
Type states angle, height of side piece and width.

Type	PG Art. no.	HDG Art. no.	SS Art. no.
LOE-55-90-200	1371394	1371525	1372340
LOE-55-90-300	1371395	1371526	1372341
LOE-55-90-400	1371396	1371527	1372342
LOE-55-90-500	1371397	1371529	1372343
LOE-55-90-600	1371398	1371530	1372344
LOE-75-90-200		1372653	1372345
LOE-75-90-300		1372030	1372346
LOE-75-90-400		1372655	1372347
LOE-75-90-500		1372031	1372348
LOE-75-90-600		1372667	1372349
LOE-100-90-200		1303380	1303385
LOE-100-90-300		1303381	1303386
LOE-100-90-400		1303382	1303387
LOE-100-90-500		1303383	1303388
LOE-100-90-600		1303384	1303389

Monteres uten behov for skjøtelask.

Installed without using splice connectors.

**LOE-55**

**LOE-75**

**LOE-100**

**T-avgreining / TEE-Piece**

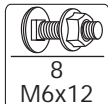
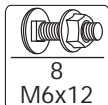
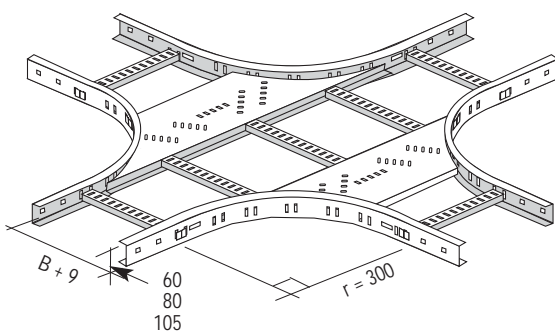
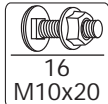
Type angir vangehøyde og bredde.

Type states height of side piece and width.

Type	PG Art. no.	HDG Art. no.	SS Art. no.
LOE-55 TE-200	1372457	1371534	1372350
LOE-55 TE-300	1372458	1371535	1372351
LOE-55 TE-400	1372459	1371536	1372352
LOE-55 TE-500	1372460	1371538	1372353
LOE-55 TE-600	1372461	1371539	1372354
LOE-75 TE-200		1304400	1304405
LOE-75 TE-300		1304401	1304406
LOE-75 TE-400		1304402	1304407
LOE-75 TE-500		1304403	1304408
LOE-75 TE-600		1304404	1304409
LOE-100 TE-200		1304410	1304415
LOE-100 TE-300		1304411	1304416
LOE-100 TE-400		1304412	1304417
LOE-100 TE-500		1304413	1304418
LOE-100 TE-600		1304414	1304419

Monteres uten behov for skjøtelask.

Installed without using splice connectors.

**LOE-55**

**LOE-75**

**LOE-100**

**Kryss / Cross-Piece**

Type angir vangehøyde og bredde.

Type states height of side piece and width.

Type	PG Art. no.	HDG Art. no.	SS Art. no.
LOE-55 CP-200	1371445	1371543	1304420
LOE-55 CP-300	1371446	1371544	1304421
LOE-55 CP-400	1371447	1371545	1304422
LOE-55 CP-500	1371448	1371547	1304423
LOE-55 CP-600	1371449	1371548	1304424
LOE-75 CP-200		1304425	1304430
LOE-75 CP-300		1304426	1304431
LOE-75 CP-400		1304427	1304432
LOE-75 CP-500		1304428	1304433
LOE-75 CP-600		1304429	1304434
LOE-100 CP-200		1304435	1304440
LOE-100 CP-300		1304436	1304441
LOE-100 CP-400		1304437	1304442
LOE-100 CP-500		1304438	1304443
LOE-100 CP-600		1304439	1304444

Monteres uten behov for skjøtelask.

Installed without using splice connectors.



## LOE 100 Bend vertikal kombi 90°+ 45° Combi Riser 90°+ 45°

Type angir vangehøyde og bredde.  
Type states height of side piece and width.

Type	HDG Art. no.	SS Art. no.	Weight SS (kg)
LOE-100 CR-200	1304445	1304450	3,2
LOE-100 CR-300	1304446	1304451	3,8
LOE-100 CR-400	1304447	1304452	4,5
LOE-100 CR-500	1304448	1304453	5,2
LOE-100 CR-600	1304449	1304454	6,1

R = 450 mm, kabelradius  
R = 450 mm, cable radius

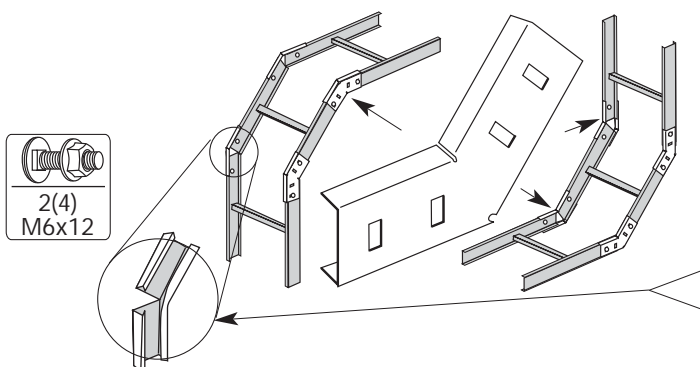
### Monteringsmål:

450/600 + 100mm som overlapper stige.

### Installation measurement:

450/600 + 100mm over lap the ladder.

Monteres uten behov for skjøtelask.  
Installed without using splice connectors.



## 45° Vinkelbeslag 45° Riser Bracket

Type	PG Art. no.	HDG Art. no.	SS Art. no.
SPB/LOE-55 RB-45	1371540	1371541	1372376

## Deksel / Cover

Type angir stigebredde.  
Type states ladder width.

Type	PG Art. no.	HDG Art. no.	SS Art. no.
SPB/LOE CO-200	1371557	1371563	1302606
SPB/LOE CO-300	1371558	1371564	1302607
SPB/LOE CO-400	1371559	1371565	1302608
SPB/LOE CO-500	1371560	1371567	1302609
SPB/LOE CO-600	1371561	1371568	1302610

Leveres i 3m lengde.

Deksel for 45°/90° bend, T-avgr. og kryss på foresp.

Supplied in 3m length.

Cover for 45°/90° bend, T-pieces and cross on request.

Dekselfester Bruk 4 stk. pr. 3m deksel.

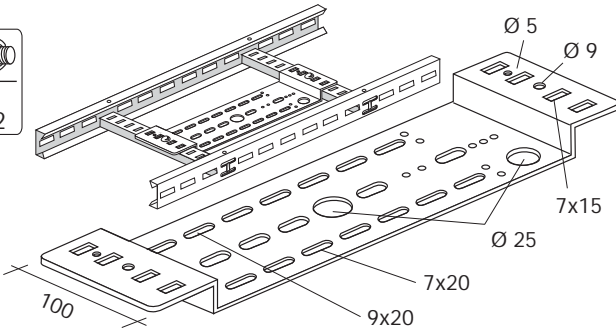
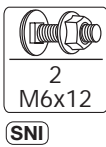
Cover Clips Use 4 clips pr. 3m cover.

Type	HDG Art. no.	SS Art. no.
SPB/LOE-55 CC	1372672	1372670
LOE-75 CC	1372872	1372379
LOE-100 CC	1303334	1303335

## Dekselløfteklrok / Raised Cover clip

For ventilert deksel / For ventilated cover

Type	HDG Art. no.	SS Art. no.
SPB-RF/LOE-55 CC-V		70001

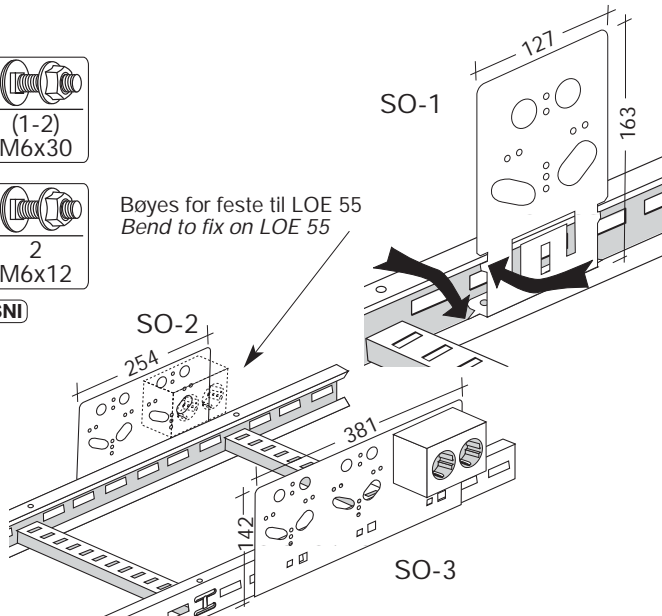
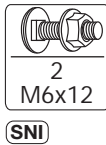
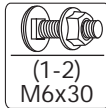


## Utstysplate Socket Plate

Type	PG Art. no.	HDG Art. no.	SS Art. no.
LOE SO-RU	1372638	1372056	1372378

Platen legges ned mellom trinnene på stigen og festes med låsebolter eller selvborende skruer.

The plate is placed between the rungs of the ladder and fixed with locking screws or self tapping screws.

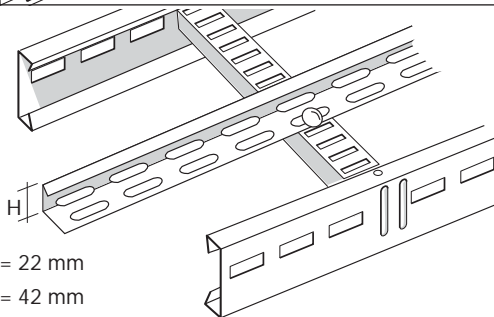


## Stikkontaktplater Socket Plates

Type	PG Art. no.	HDG Art. no.	SS Art. no.
A-SPB/LOE SO-1*	1301082	1371592	1372377
A-SPB/LOE SO-2*	1303336	1306855	1303337
A-SPB/LOE SO-3**	1306856	1303338	1303339

\*) Monteres på LOE-55 med prestansede klipsfester. Monteres på LOE-75 med skruer (**ikke inkludert**).  
Mounts on LOE-55 by preslotted tabs.  
Mounts on LOE-75 with screw (not included).

\*\*) Monteres med 2 skruer (**ikke inkludert**).  
ST-U3 har også feste hull for koblingsbokser.  
Mounts with 2 screws (not included).  
ST-U3 has fixing holes for junction boxes.



SPB/LOE DI-55: H = 22 mm

SPB/LOE DI-75: H = 42 mm

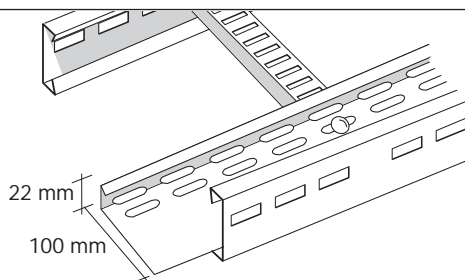
## Skilleplate / Divider

Type	PG Art. no.	HDG Art. no.	SS Art. no.
SPB/LOE DI-22	1371571	1371572	1372380
SPB/LOE DI-42		1372783	1371706

Leveres i 3m lengde / Supplied in 3m length.

Produktet kan avvike noe fra illustrasjon.

The design may differ according to illustration.

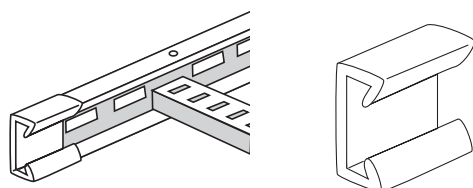


## Skilleplate - Svaksstømskanal Divider Channel

Type	PG Art. no.	HDG Art. no.	SS Art. no.
LOE DI-CH	1372019	1372034	1304496

Leveres i 3m lengde / Supplied in 3m length.

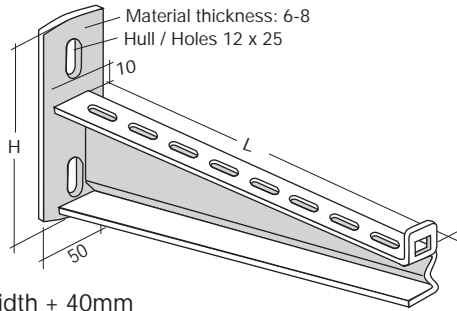
## Endebeskyttelse End Protection



Type	Gul plast / Yellow plastic Art. no.
A-LOE 55 EP	1371597
A-LOE 75 EP	80388
A-OE/LOE 100 EP	80415



Festes med / Fix with: 1 bolt max Ø 12mm



H = 94 (100-300)  
H = 113 (400-600)

L = Type Bredde/Width + 40mm

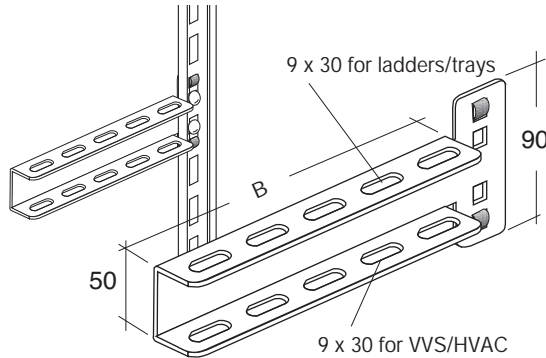
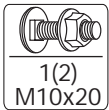
**Veggkonsoll** for LOE-, RZ-stiger og SPB- baner.

Type angir stigebredde. Sikkerhetsfaktor 2.

**Cantilever Arm** for LOE, RZ ladders and SPB trays.

Type states ladder width. Safety factor 2.

Type L	HDG Art. no.	SS Art. no.	Maks last Max. load	Weight SS (kg)
S-M CA-35-100	1372689	1302442	350 kg	0,4
S-M CA-35-200	1372690	1302443	250 kg	0,5
S-M CA-35-300	1372691	1302444	200 kg	0,6
S-M CA-35-400	1372692	1302445	175 kg	0,8
S-M CA-35-500	1372693	1302446	150 kg	0,9
S-M CA-35-600	1372694	1302447	125 kg	1,1



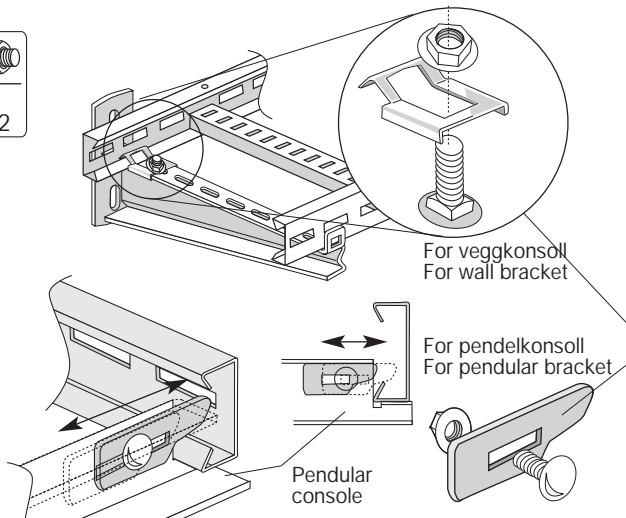
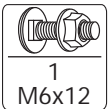
**LOE skinnekonsoll** for skinne CH 50-1.

Type angir stigebredde. Sikkerhetsfaktor 2.

**Channel Brackets** for channel CH 50-1.

Type states ladder width. Safety factor 2.

Type +B	PG Art. no.	Maks last (kg) Max. load (kg)
S-M CB-20-200	1372657	50
S-M CB-20-300	1372658	30



**Stigefeste**

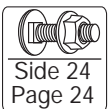
Klips for skruefeste til standard veggkonsoll og pendelkonsoll ved montering av varmgalvanisert utstyr.

**Fixing Clamp**

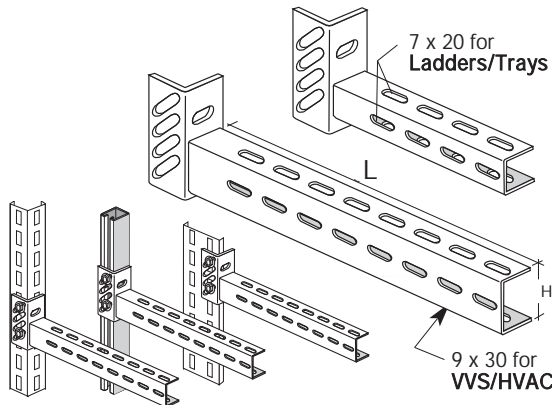
Clamp for bolting to standard wall bracket and pendular console for installation of hot dip galvanised system.

Type	PG Art. no.	HDG Art. no.	SS Art. no.
S-LOE FC-CA-35	1371556	1371556	1372384
S-LOE FC-CS-20	1304460		1304461

Stigefeste for pendelkonsoll skyves inn over stigen og mutteren strammes. Fixing clamp premounts on pendular console to slide and lock the ladder.



How to use:  
Fits both  
Mekano  
and UNO

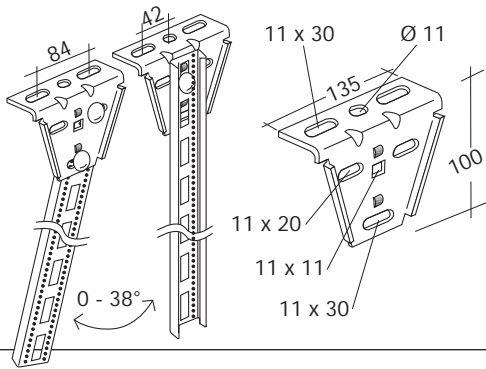
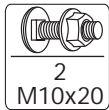


**Skinnekonsoll** for LOE, RZ-stiger og SPB-baner.

Type angir stigebredde. Sikkerhetsfaktor 2.

**Channel Bracket** for LOE, RZ ladders and SPB trays. Type states ladder width. Safety factor 2.

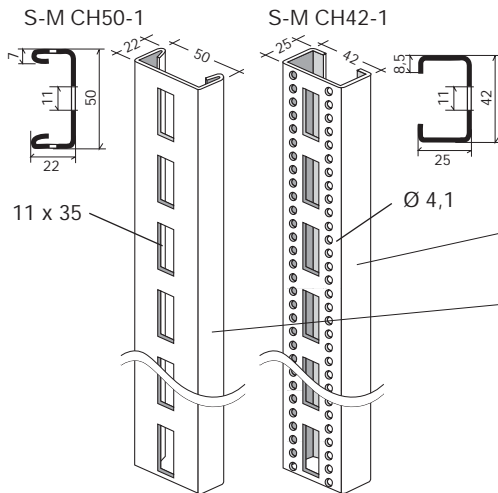
Type	H + L	HDG Art. no.	SS Art. no.	Maks last Max. load	Weight SS (kg)
S-M CB-30-100	38 + 129	1302437	1371791	180 kg	0,40
S-M CB-30-150	38 + 179	1302438	1371792	180 kg	0,45
S-M CB-30-200	38 + 229	1302439	1371793	200 kg	0,50
S-M CB-30-300	50 + 329	1302440	1371794	200 kg	0,60
S-M CB-30-400	50 + 429	1302441	1371799	200 kg	0,70



### Takfeste justerbart 0 - 38° Ceiling Bracket adjustable 0 - 38°

Type	PG Art. no.	HDG Art. no.	SS Art. no.
S-M CE-SD	1372151	1372150	1372385

Passer til skinne CH 50-1 og CH 42-1.  
Fits channel CH 50-1 and CH 42-1.



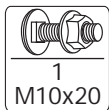
### Pendelskinne / Channel

Type	PG Art. no.	HDG Art. no.	SS Art. no.
S-M CH42-1-300	1303342		1303347
S-M CH42-1-450	1303343		1303348
S-M CH42-1-900	1303344		1303349
S-M CH42-1-3000	1303345		1303350
S-M CH50-1-3000		1371684	1371687

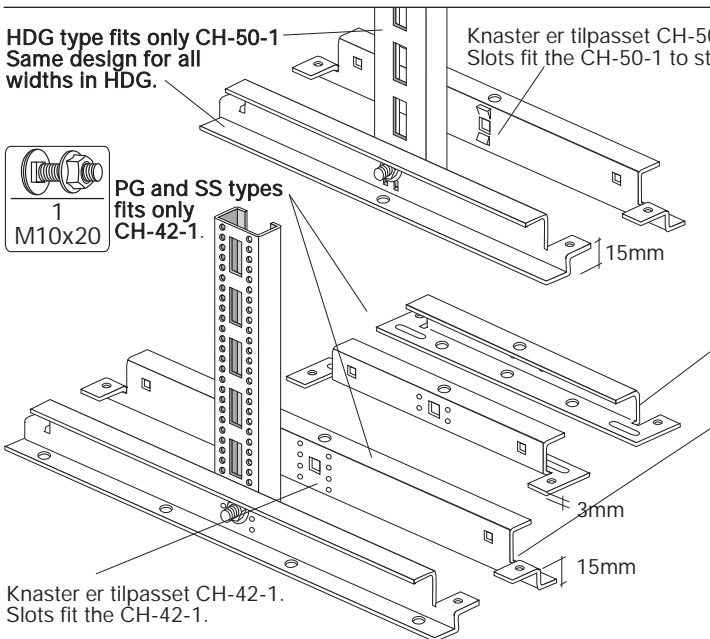
Pendelkonsoller, se t.o.m. side 17.  
Central support, see until page 17.

HDG type fits only CH-50-1  
Same design for all widths in HDG.

Knaster er tilpasset CH-50-1 for stabilisering av skrufestet.  
Slots fit the CH-50-1 to stabilize the one screw fix.



PG and SS types fits only CH-42-1.



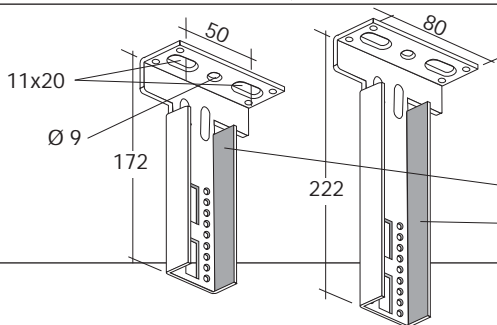
### Pendelkonsoll Central Support

Type	PG for CH42-1 Art. no.	HDG for CH50-1 Art. no.	SS for CH42-1 Art. no.
S-LOE CS-20-200	1303300	1303305	1303310
S-LOE CS-20-300	1303301	1303306	1303311
S-LOE CS-20-400	1303302	1303307	1303312
S-LOE CS-20-500	1303303	1303308	1303313
S-LOE CS-20-600	1303304	1303309	1303314

Kan monteres i flere høyder.  
Pendelkonsoll i PG og SS passer kun til CH42-1 skinne.  
Pendelkonsoll i HDG passer kun til CH42-1 skinne.

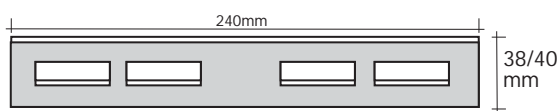
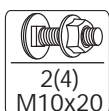
Can be used in several heights.  
Central support in PG and SS fits only the CH42-1 channel.  
Central support in HDG fits only the CH42-1 channel.

SNI



### Pendelskinne Se også side 17. Central Channel See page 17.

Type	PG Art. no.	HDG Art. no.	SS Art. no.
S-LOE CH48-1-172	1304477	1304478	1304476
S-LOE CH48-1-222	1304480	1304481	1304479

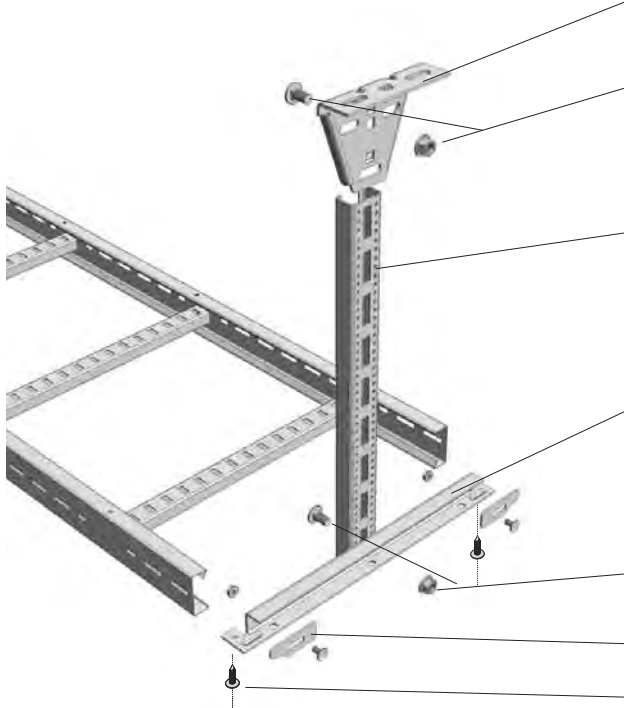


### Skjøtelask / Splice Connector

for channel CH42-1 and CH50-1.

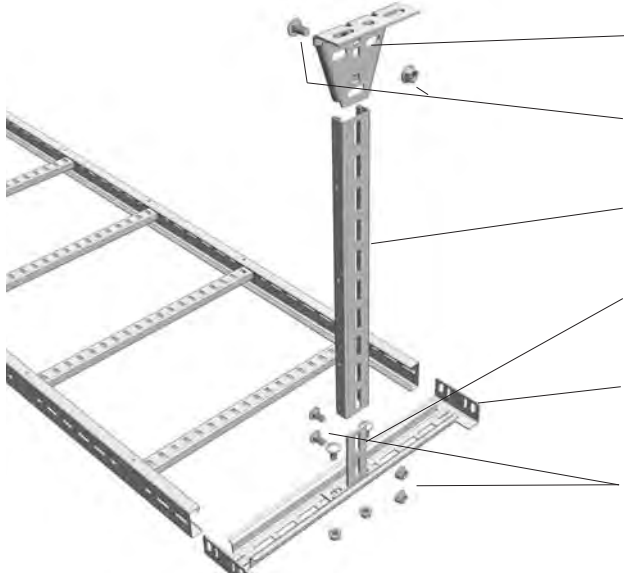
Type	PG Art. no.	HDG Art. no.	SS Art. no.
S-M SC-CH42-1		89707	89708
S-M SC-CH50-1		1372763	1302595

## Pendeloppheng for LOE stige PG./ Central support for LOE ladder PG.

Anbefalt oppsett:	Velg / Choose: Art. no.:	Recommended solutions:
<b>Standard</b> Pendeloppheng for bredde 200-600mm: Central support for width 200-600mm: 	1372151	<b>Takfeste / Ceiling Bracket</b> S-M CE-SD
	1371980	<b>Låsebolter (Inkludert) / Locking bolts (Included)</b> S-M LS-M10x25
	1303342 1303343 1303344 1303345	<b>Skinne / Channel</b> Velg skinnelengde her / Choose pendular length S-M CH42-1-300 S-M CH42-1-450 S-M CH42-1-900 S-M CH42-1-3000
	1303300 1303301 1303302 1303303 1303304	<b>Pendelkonsoll / Pendular console</b> LOE CS-20-200 LOE CS-20-300 LOE CS-20-400 LOE CS-20-500 LOE CS-20-600
	1371980	<b>Låsebolter (Inkludert) / Locking bolts (Included)</b> S-M LS-M10x25
	1304460	<b>Alt. 1: Stigefeste / Fixing Clamp</b> S-LOE FC-CS-20
	1372820	<b>Alt. 2: Selvborende skrue / Self-Tapping screw</b>

### Heavy Duty

Pendeloppheng for bredde 500-600mm:  
Central support for width 500-600mm:

	1372151	<b>Takfeste / Ceiling Bracket</b> S-M CE-SD
	1371980	<b>Låsebolter (Inkludert) / Locking bolts (Included)</b> S-M LS-M10x25
	1371684	<b>Skinne / Channel</b> S-M CH50-1-3000
	1304462	<b>Vinkel</b> S-LOE AB 35x120-10
	1372128 1372129	<b>Pendelkonsoll / Pendular console</b> S-LOE CS-U-40-500 S-LOE CS-U-40-600
	1371980	<b>Låsebolter (Inkludert) / Locking bolts (Included)</b> S-M LS-M10x25

## KONSOLL for pendeloppheng

Kraftig konsolltype som bygger minimalt under stige ✓

Mange kombinasjonsmuligheter ✓

Perforert bunn muliggjør røroppheng ✓

## BRACKET for central support

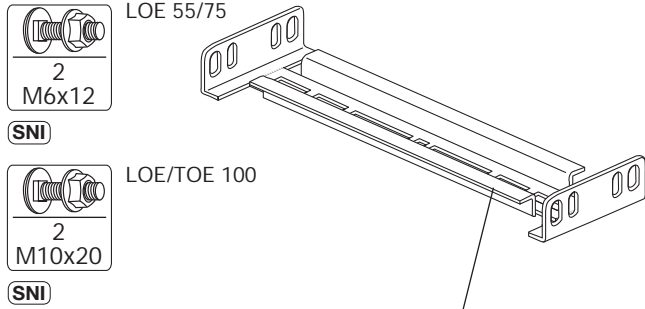
Strong console with minimum descender ✓

Many optional combinations ✓

Preslotted bottom permits pipe support ✓

Kabelstigen festes til konsollen med 2 stk.skruer som bestilles separat. For LOE 55 og 75, 2 stk. M6x12.  
For LOE 100 og TOE 100, 2 stk. M10x20.

Fix ladder to bracket with 2 pc. of screws which order separatly. For LOE 55 and 75, 2 pc. M6x12.  
For LOE 100 and TOE 100, 2 pc. M10x20.

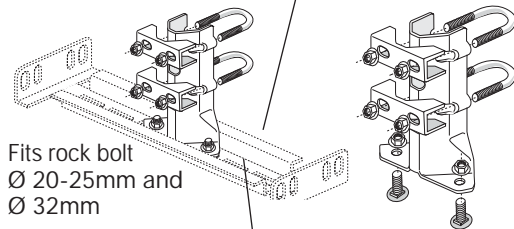


### Pendelkonsoll / Central Support

Type angir stigebredde / Type states ladder width

Type	HDG Art. no.	SS Art. no.
S-LOE CS-40U-200	1372125	1372360
S-LOE CS-40U-300	1372126	1372361
S-LOE CS-40U-400	1372127	1372362
S-LOE CS-40U-500	1372128	1372363
S-LOE CS-40U-600	1372129	1372364

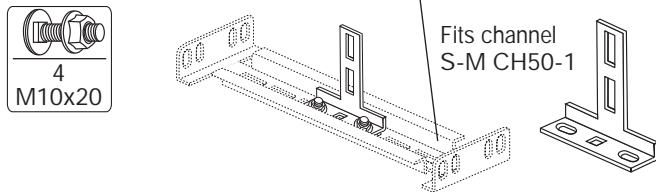
Komplett  
Complete



Fjellboltfeste for pendelkonsoll

### Rock Bolt Bracket for central support

Type	HDG Art. no.	SS Art. no.
S-TOE RO-CS-40-Ø25	1304464	1304465
S-TOE RO-CS-40-Ø32		85554



Vinkelbrakett til skinne

### Angle Bracket to channel

Type	HDG Art. no.	SS Art. no.
S-LOE AB-35x120-10	1304462	1304463

# SMART

komplett lavtbyggende takoppheng Se neste side:

complete ceiling support with no parts

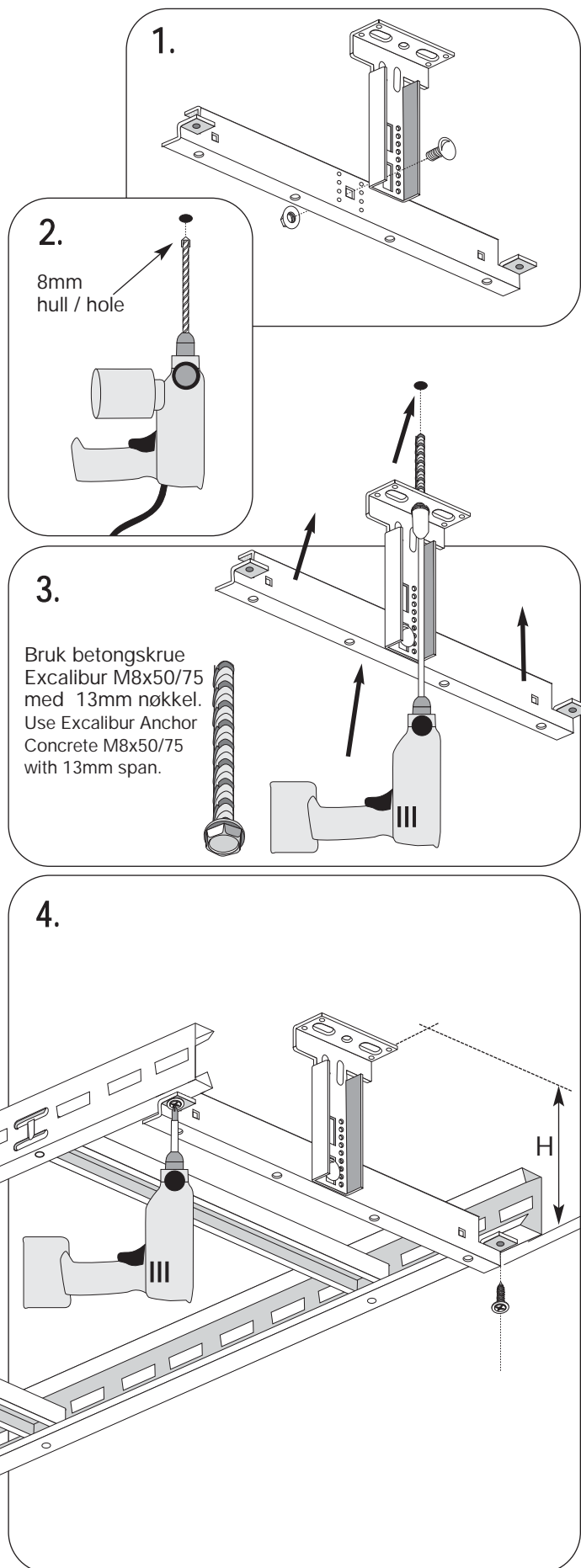
projecting below the bottom run of ladder See next page:



From Vetco Able at Forus, Norway.

# SMART:

Komplett lavtbyggende takoppheng for kabelstige  
Complete ceiling support with no parts  
projecting below the bottom run of ladder



**1.**  
Monter Pendelkonsoll og Pendelskinne sammen med en M10x20. Bemerk konsollens pregrekke som passer til hullene i skinnen og selv med bare en skruer gir et vridningstabilt oppheng.

Fix the pendular console and channel together with one M10x20. Note that the consoles nipples fit into the channels preslots and make a solid none twistable unit with only one screw.

**2.**  
Bor et 8mm hull i betongen med slaghammerdrill.

Drill a 8 mm hole in the concrete with a rotary hammer.

**3.**  
M8 betongbolt monteres i senterhullet på takfestet og hele opphenget skrues fast ved hjelp av en slagtrekker.

Put a M8 concrete bolt into the center hole of the central channel and fasten the whole support unit with an impact wrench which give fast operation even at quality concrete.

**4.**  
Legg i kabelstige og fest denne til konsollen med selvboende skruer.

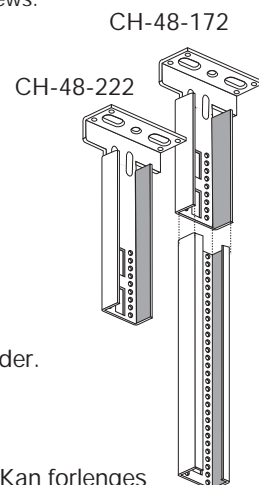
Install the ladder and fix with self tapping screws.

H*	Stigebredde: Ladder width:	
	200-400	500-600
CH-48-172	170mm	155mm
CH-48-222	220mm	205mm

\*) H = Avstand fra tak til underkant stige.  
\*) H = Distance from ceiling to below ladder.

Konsollbredde 5-600  
trenger 15mm under stige.

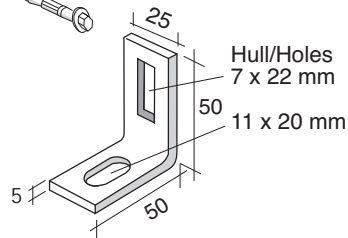
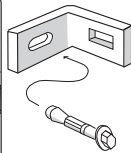
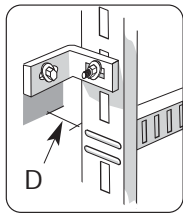
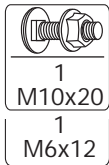
Console width 5-600 need  
15mm below ladder



Kan forlenges  
med CH-42 skinne.

Fits CH-42 for heights.

LOE 55 + LOE 75



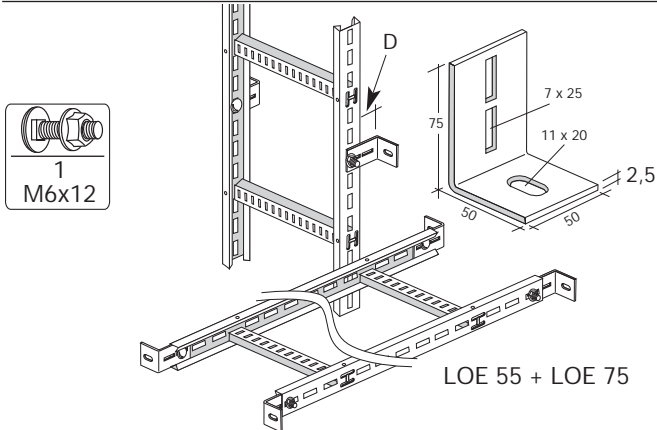
### Vinkelbeslag

Enkelt vinkelbeslag for montering av stige til vegg.

### Angle Bracket

Simple angle bracket for vertical installation.

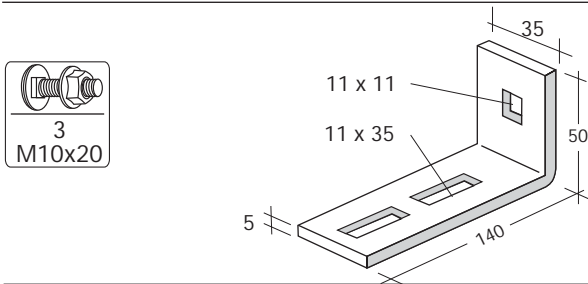
Type	PG Art. no.	HDG Art. no.	SS Art. no.
S-M AB-50x50-10/6	1372735	1372761	1371817

 Distanse D fra stige til vegg 0-10 mm.  
 Distance D from ladder to wall 0-10 mm.


### Avstandsbrakett

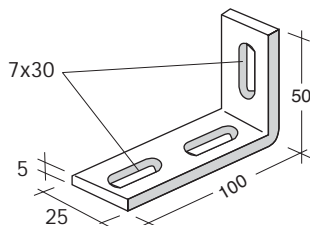
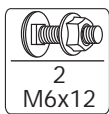
### Wall Distance Bracket

Type	PG Art. no.	HDG Art. no.	SS Art. no.
S-LOE WD	1304466	1304467	1304468

 Distanse D fra stige til vegg 20-35 mm.  
 Distance D from ladder to wall 20-35 mm.


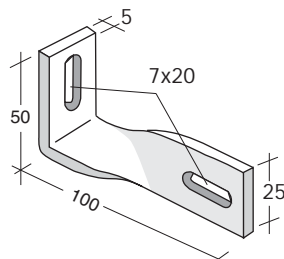
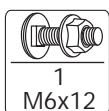
### Opphengsvinkel / Angle Bracket

Type	HDG Art. no.	SS Art. no.
S-SPB AB-50x140-10	1301081	1304469



### Vinkel / Angle Bracket

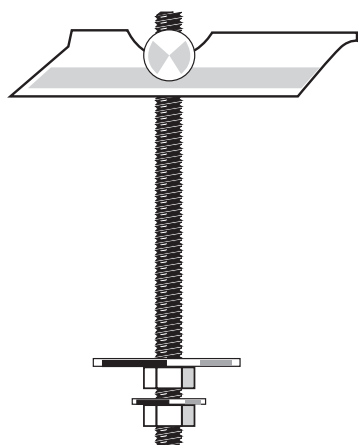
Type	HDG Art. no.	SS Art. no.
S-M AB-50x100-6	1372696	1372382



### Vridt vinkel / Twisted Bracket

Type	HDG Art. no.	SS Art. no.
S-M AB-TW-50x100-6	1372697	1372383

## Oppheng i stålplatetak / Support for corrugated steel roof.



Vippeanker for oppheng i stålplatetak.  
Toggle Clamp for corrugated steel roof.

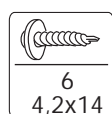
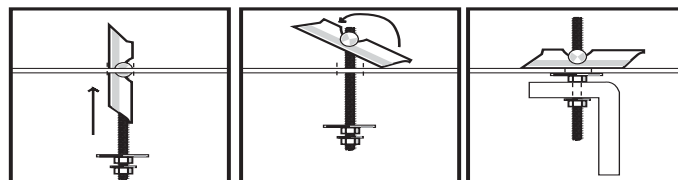
**Borehull Ø / Drill hole Ø:**

S-M TC-M-6 = 16 mm

S-M TC-M-8 = 22 mm

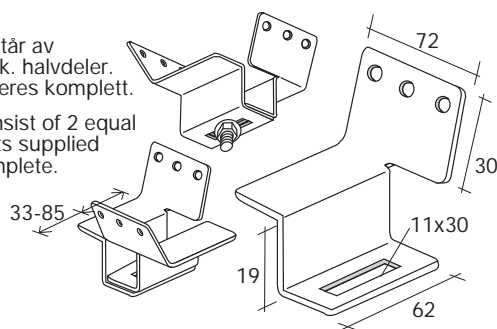
S-M TC-M-10 = 25 mm

Type	PG Art. no:	Maks last/Max load:
S-M TC-M6x100	1372819	60 kg
S-M TC-M8x100	1372876	80 kg
S-M TC-M10x100	1372877	80 kg



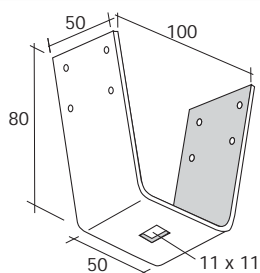
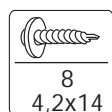
Består av  
2 stk. halvdelar.  
Leveres komplett.

Consist of 2 equal  
parts supplied  
complete.



Takplatevinkel justerbar  
Steel Roof Bracket justable

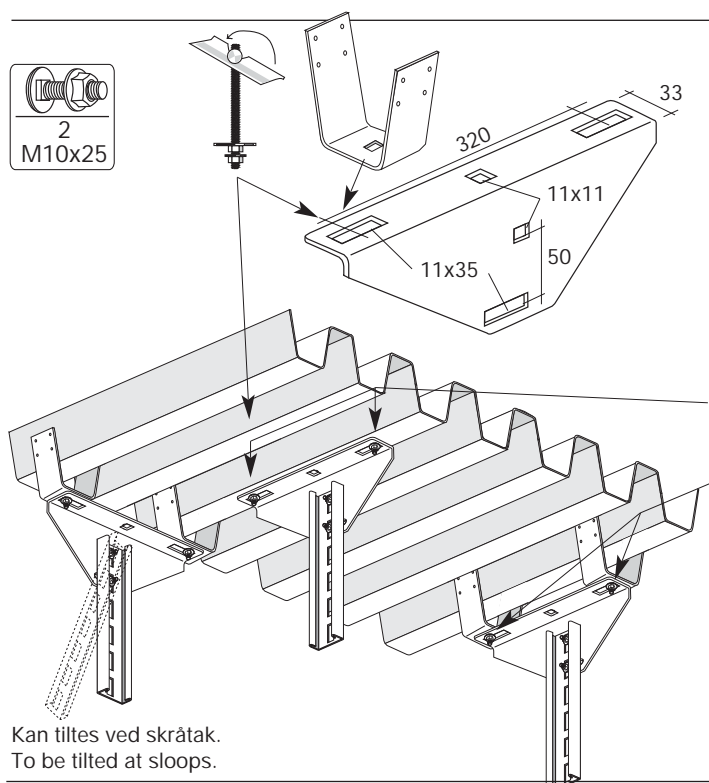
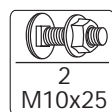
Type	PG Art. no.	HDG Art. no.
S-SPB SR-X	1372121	1372122



Takplatevinkel dobbel  
Ceiling Bracket double

Type	PG Art. no.	HDG Art. no.
S-SPB SR-100	1372136	On req.

Stdr. 50 mm, eller etter ønske.  
Stdr. 50 mm, other on request.



Takplatevinkel  
Steel Roof Bracket

Type	PG Art. no.	HDG Art. no.	SS Art. no.
S-M SR-350	74831	74832	74830

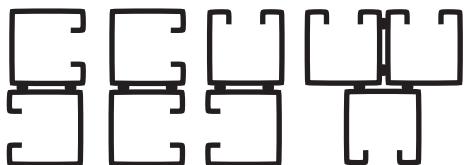
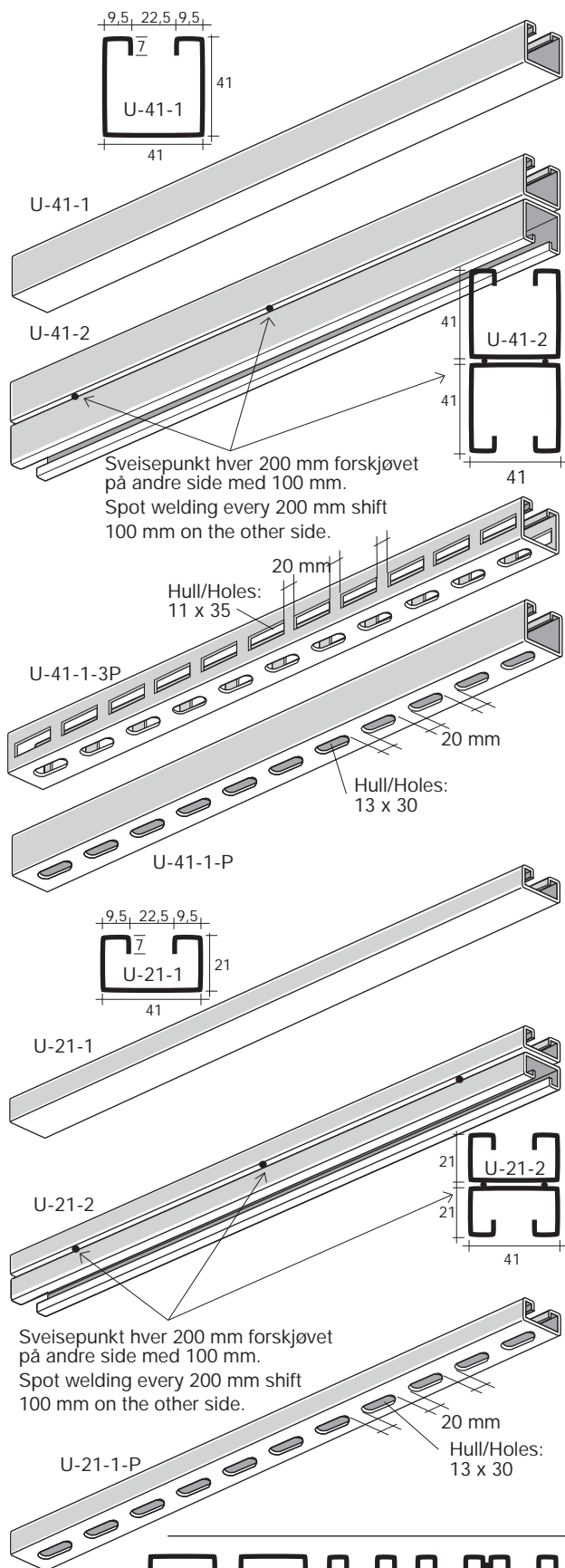
Vippeanker / Toggle Clamp

S-M TC-M10x100 Art. no.: 1372877

2 stdr. M10x25 låsebolt/locking screw Art. no.: 1371980

Kan tiltes ved skråtak.  
To be tilted at sloops.

## UNO Support system Skinner / Channels:



### Materialekvaliteter UNO skinner:

HDG = 2,5mm. SS = 2mm. Tekniske data på forespørsel.

### Material qualities UNO channels:

HDG = 2,5mm. SS = 2mm. Technical data available on request.

### Skinner Type U-41 Standard lengde 6m.

### Channels Type U-41 Standard lengths 6m.

Type (single)	HDG Order no.	SS Art. no.	PG Art. no.	Weight SS (kg)
S-UNO-41-1(6m)	1302233	1371865	70702	2,3
S-UNO-41-1(3m)	1302227	1371859		

### Type (double)

S-UNO-41-2(6m)	1302235	1371867		4,5
S-UNO-41-2(3m)	1302229	1371864		

Skinnene er sveist sammen med ca. 3mm åpning for å gi god galvanisering mellom skinnene.

The channels are welded together with a 3mm opening in order to allow zink to penetrate.

### Perforerte UNO skinner Standard lengde 6m.

### Perforated UNO channels Standard lengths 6m.

Type (triple perf.)	HDG Art. no.	SS Art. no.	PG Art. no.	Weight SS (kg)
S-UNO-41-1-P3(3m)		83969		

### Type (single perf.)

S-UNO-41-1-P(6m)	1302234	1371866	81829	2,1
S-UNO-41-1-P(3m)	1302228	1371863		

### Skinner Type U-21 Standard lengde 6m.

### Channels Type U-21 Standard lengths 6m.

Type (single)	HDG Art. no.	SS Art. no.	PG Art. no.	Weight SS (kg)
S-UNO-21-1	1302230	1371860	1372860	1,5

### Type (double)

S-UNO-21-2	1302232	1371862		3,0
------------	---------	---------	--	-----

Skinnene er sveist sammen med ca. 3mm åpning for å gi god galvanisering mellom skinnene.

The channels are welded together with a 3mm opening in order to allow zink to penetrate.

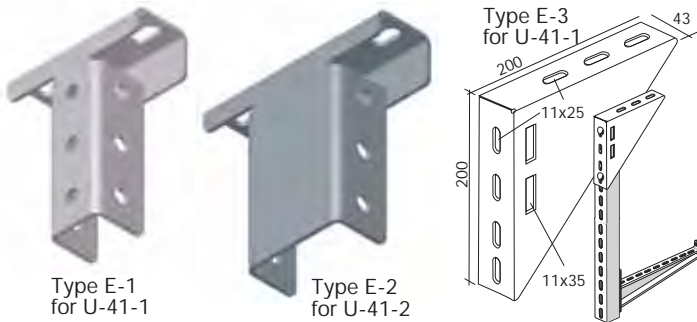
### Perforerte UNO skinner Standard lengde 6m.

### Perforated UNO channels Standard lengths 6m.

Type (single)	HDG Art. no.	SS Art. no.	PG Art. no.	Weight SS (kg)
S-UNO-21-1-P	1302231	1371861	1302199	1,4

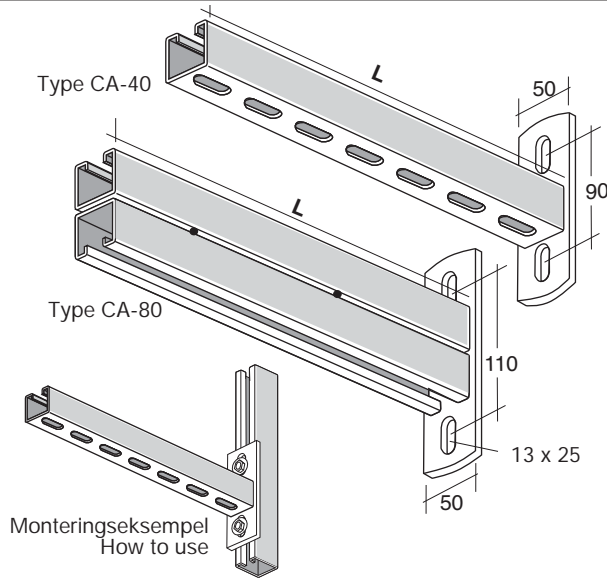
På bestilling kan forskjellige kombinasjoner leveres. Ta kontakt ved behov for spesielle løsninger.

Different combinations can be supplied on request. Contact us when special solutions are needed.



### Endestykker for UNO skinner End pieces for UNO Channels

Type	PG Art. no.	HDG Art. no.	SS Art. no.	Weight SS (kg)
S-UNO E-1		1302296	1371925	1,45
S-UNO E-2		1302297	1371926	1,85
S-UNO E-3	1304473	1304474	1304475	0,80



### Konsoll

Sikkerhetsfaktor 2. Maks last i kg. Type angir lengde.

### Cantilever Arm

Safety factor 2. Max. load in kg. Type states length.

Type	HDG Art. no.	SS Art. no.	Maks last Max. load	Weight SS (kg)
S-UNO CA-40-200	1302300	1371880	500	0,7
S-UNO CA-40-300	1302301	1371881	500	0,9
S-UNO CA-40-400	1302302	1371882	360	1,1
S-UNO CA-40-500	1302303	1302311	230	1,3
S-UNO CA-40-600	1302304	1371883	180	1,5
S-UNO CA-40-800	1302305	1302312	145	1,9
S-UNO CA-40-1000	1302306	1302313	115	2,4

Type	L mm	HDG Art. no.	SS Art. no.	Maks last Max. load	Weight SS (kg)
S-UNO CA-80-450	450	1302307	1302314	400	2,4
S-UNO CA-80-600	673	1302308	1371884	300	3,4
S-UNO CA-80-750	823	1302309	1371885	200	4,0
S-UNO CA-80-900	973	1302310	1371886	175	4,7

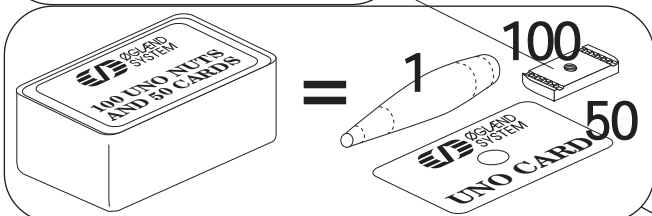
**NB! Bestill UNO Card:  
Et alternativ til  
spiralfjær.**

**NB! Order  
UNO Cards:  
Replace coil springs.**

When using UNO Cards you only  
need one type of UNO nut: M 31.

### Fjærmuttere for UNO skinner Spring Nuts for UNO Channels

Type	Dim.	HDG Art. no.	SS Art. no.	Weight in SSx100(kg)
S-UNO NU-M-2106	M 6	1302246	1371868	2,2
S-UNO NU-M-2108	M 8	1302247	1371869	2,0
S-UNO NU-M-2110	M 10	1302248	1371870	3,0
S-UNO NU-M-2112	M 12	1302249	1371871	3,5
S-UNO NU-M-3106	M 6	1302250	1371872	2,0
S-UNO NU-M-3108	M 8	1302251	1371873	2,7
S-UNO NU-M-3110	M 10	1302252	1371874	2,7
S-UNO NU-M-3112	M 12	1302253	1371875	2,5
S-UNO NU-M-4106	M 6	1302254	1371876	2,2
S-UNO NU-M-4108	M 8	1302255	1371877	2,0
S-UNO NU-M-4110	M 10	1302256	1371878	3,0
S-UNO NU-M-4112	M 12	1302257	1371879	3,5

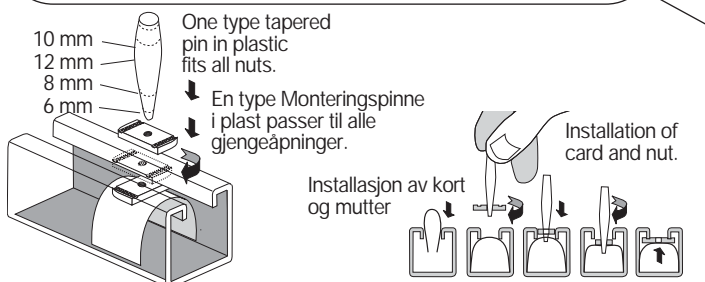


### UNO muttere / UNO Nuts

Leveres i plastboks med 100 muttere, 50 UNO cards og en monteringspinne.

Supplied in a plastic box including 100 nuts, 50 UNO cards and one fixing pin.

Type	Dimension	HDG Art. no.	SS Art. no.
S-UNO Nu-Card M6	M6	1302236	1302240
S-UNO Nu-Card M8	M 8	1302237	1302241
S-UNO Nu-Card M10	M 10	1302238	1302242
S-UNO Nu-Card M12	M 12	1302239	1302243

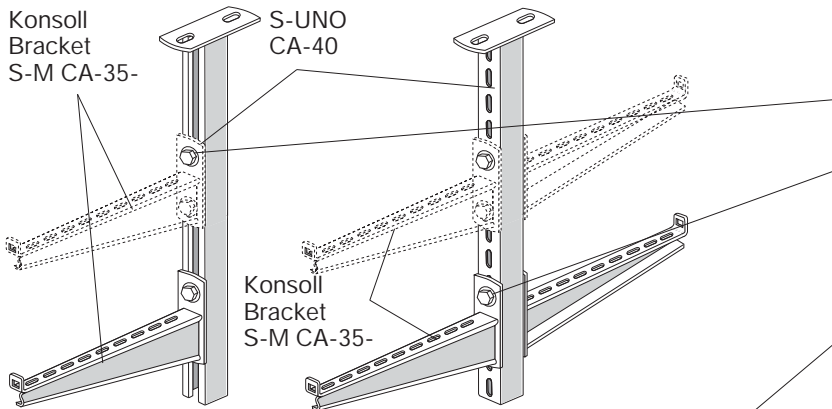


### Bestilling av enkle / Ordering single Uno Cards:

S-UNO NU-Card	Art. no. 1302244
Monteringspinner / Fixing pins	Art. no. 1302245

## UNO konsoller som takpendel UNO brackets as central hanger

Belastningskapasitet på forespørsel.  
Load capacity on request.



Festes med UNO muttere for UNO skinne.  
Fixed with UNO nuts for UNO channel.

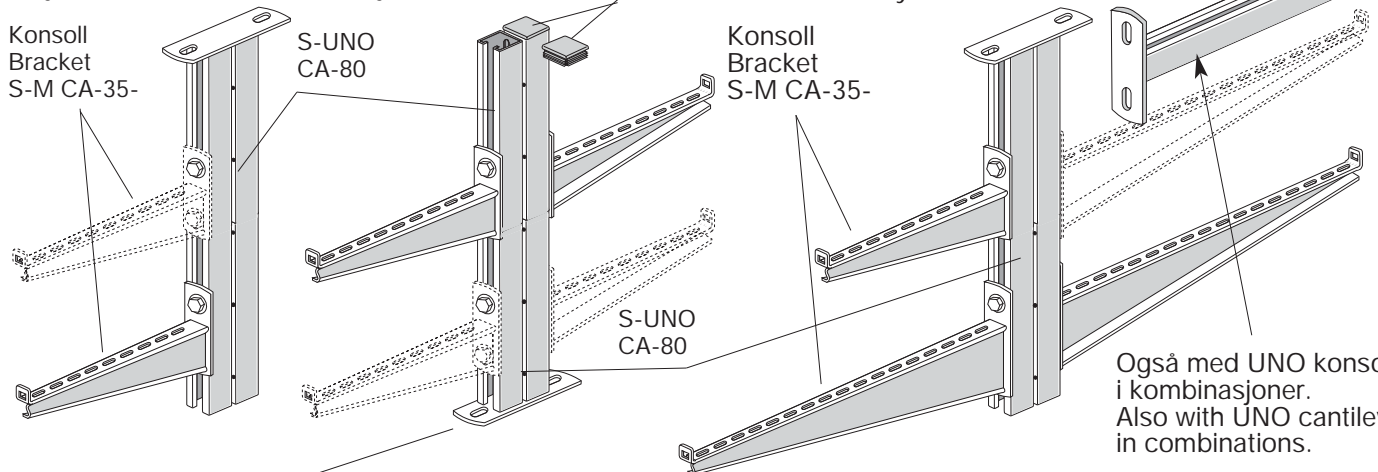
Festes med gjennomgående bolter.  
Fixed with through bolts.

UNO endeplate i plast:  
UNO end cap in plastic:  
Type: D-97. Art. no.: 1371927

Ensidig montasje,  
usymmetrisk last.  
One sided installation,  
assymmetric load.

Tosidig montasje,  
symmetrisk last.  
Two-sided installation,  
symmetric load.

Tosidig montasje,  
asymmetrisk last.  
Two-sided installation,  
assymmetric load.

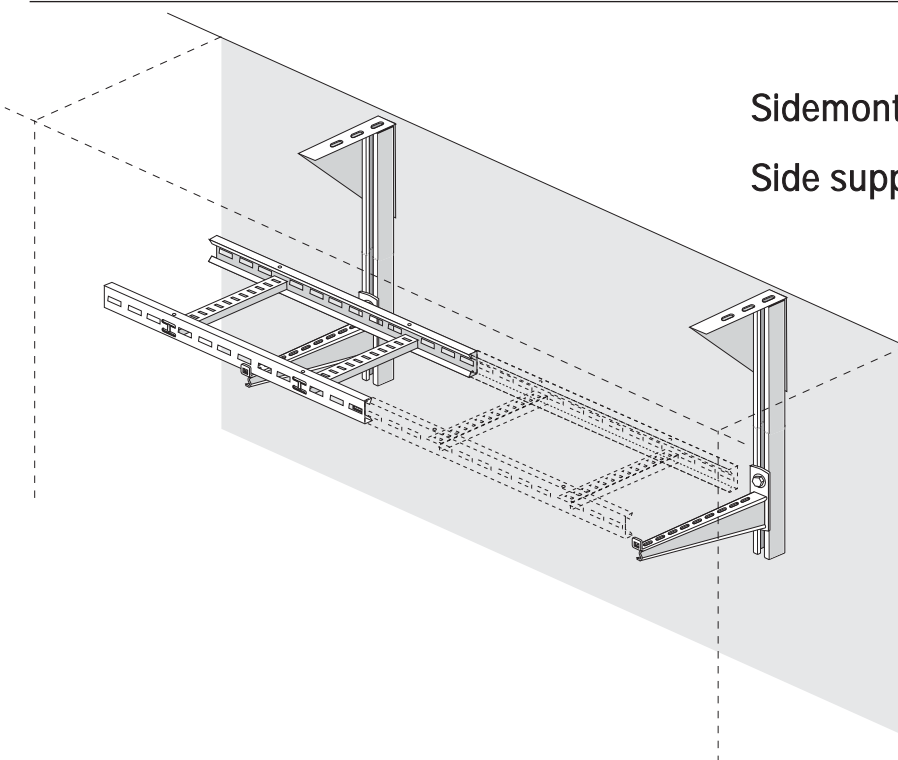


Også med UNO konsoller  
i kombinasjoner.  
Also with UNO cantilevers  
in combinations.

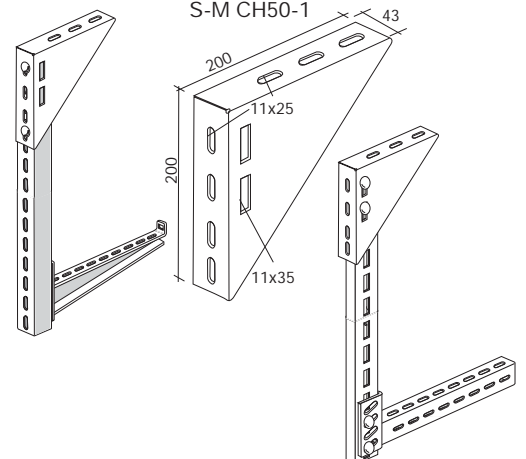
- som gulvstender      Festes med ekspansjonsbolter, boltsveising eller sveises.  
- as floor stand      Fixed with expansion bolts, stud welding or welding.

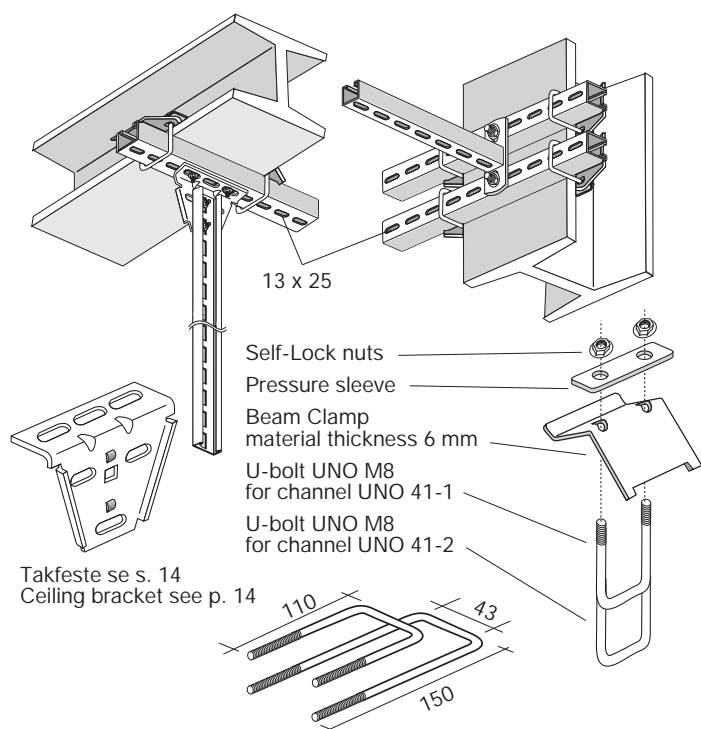
Sidemontering av kabelstiger i korridorer.

Side support of cable ladders in corridors.



Type E-3  
for U-41-1  
and channel  
S-M CH50-1





## Eksempel på oppheng til stålbejler/stendere\*

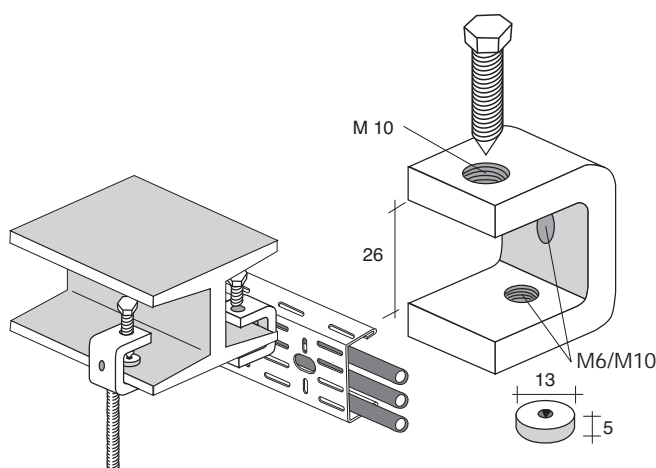
UNO bejleklammer SS for tykke flenser (0-30mm).  
Anbefalt maks last 500 kg pr. klammer.  
Laget i 6mm syrefast stål (SS).  
Leveres på forespørsel som komplette sett (og i HDG):

## Example of beam support\*

UNO Beam clamp SS for thick flanges (0-30mm).  
Recommended max load 500 kg each.  
Made of 6mm Stainless steel(SS).  
Supply on request as complete set (also in HDG):

Type	SS Art. no.
S-UNO BC-30-1 (for UNO 41-1 channel)	1304498
S-UNO BC-30-2 (for UNO 41-2 channel)	1304499

\*) Be om vår katalog for multidisiplin opphengsystem.  
\*) Ask for our multidiscipline support catalogue.



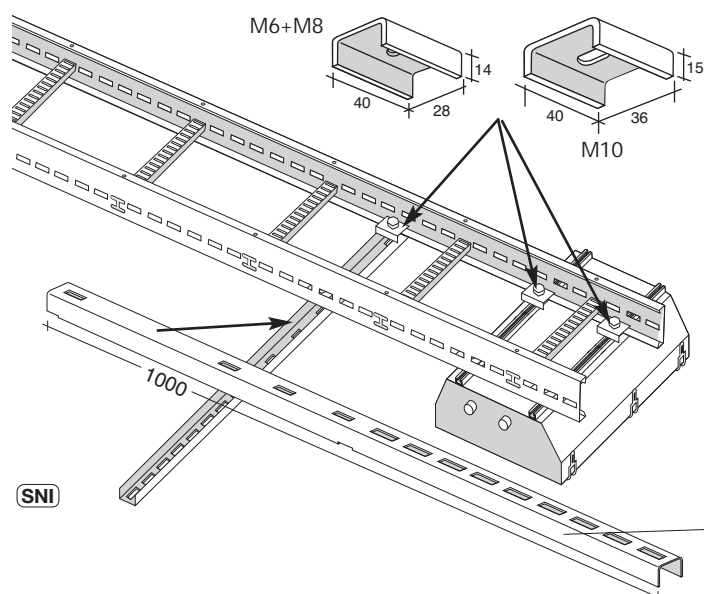
## Bjelkeklammer\* Spisset skruer inkludert Beam Clamps\* Tapered screw included

Type	Maximum load (kg)	SS Art. no.
S-M BC-U-25/6	50	1371801
S-M BC-U-25/10	50	1371802
S-M BC-U-35/10	50	1371803

## Trykkfordelingsbrikke som tillegg. Pressure sleeve on request.

S-M BC-PS	Art. no. 1371804
-----------	------------------

\*) Be om vår katalog for multidisiplin opphengsystem.  
\*) Ask for our multidiscipline support catalogue.



## Klembakke for lysrørarmaturfeste Press Clamp for lighting support

Leveres med / Supplied in: Ø 7 + 9 + 11mm

Type	HDG Art. no.	SS Art. no.
S-M FC-M6	1372048	1372148
S-M FC-M8	1372049	1372149
S-M FC-M10	1372050	1372147

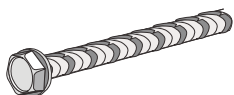
## SKINNE for oppheng av lysrørarmatur CHANNEL for lighting support

Type	HDG Art. no.	SS Art. no.
S-TOE CH-LB1000	1372047	1304497

## Festemateriell:

## Fixing products:

### Betongskruer Excalibur Anchor Concrete Excalibur



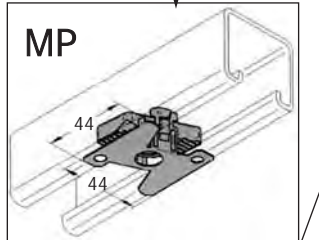
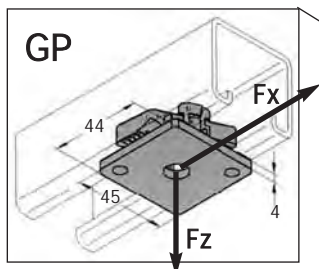
Type	Dimension	Std. packs	Betong 30	Betong 60	Safety x 3	Art. no.:
S-M AC-EXC-6x50		100	3,83 kN	4,33 kN		1306837
S-M AC-EXC-8x50		100	4,87 kN	6,83 kN		1306838
S-M AC-EXC-8x75		100	7,00 kN	9,50 kN		1306839
S-M AC-EXC-10x75		50	6,27 kN	9,67 kN		1306840
S-M AC-EXC-10x100		50	11,13 kN	16,00 kN		1306841

NB! Excaliburskruene krever bruk av slagtrekker.

Alternative slagtrekkere: Bosch GDS 14,4 / 18 V - Milwaukee PIW 14,4 V.

NB! Excalibur screws need use of impact wrench.

Alternative Impact Wrench: Bosch GDS 14,4 / 18 V - Milwaukee PIW 14,4 V.



**UNO hurtigmutter for skinne UNO-41 i PG / UNO speed-nut for channel UNO-41 in PG:**

Type navn/name	Type/Dim.	Fx	Fz	Art. no.:
S-UNO-NU-M-1008	GP M8	4,4 kN	7,3 kN	1306842
S-UNO-NU-M-1010	GP M10	7,0 kN	10,6 kN	1306843

Ved montasje av gjengestag i mutter bruk type GP – husk kontramutter.

Using thread rod in nut use type GP – remember contra nut.

S-UNO-NU-M-1108	MP M8	4,4 kN	7,3 kN	1306844
S-UNO-NU-M-1110	MP M10	7,0 kN	10,6 kN	1306845



**Kappeverktøy for gjengede stag:  
Cutting tool (tong) for threaded rods:**

S-UNO CT-M10

**Slitasjedel kapp / Spare cut part**

S-UNO CT-M10-PA

Art. no.:

1306846

1306847

### GJENGESTAG THREADED ROD

Type	PG Art. no.	HDG Art. no.	SS Art. no.
S-M TR-06-1000	1372752		
S-M TR-06-2000	1372753		
S-M TR-08-1000	1372754		
S-M TR-10-300	1372738		
S-M TR-10-500	1372739		
S-M TR-10-1000	1372747	1372743	1371416
S-M TR-10-2000	1372746	1372742	1371418
S-M TR-10-3000			1371419

**Hvit plaststrømpe til gjengestag (metervis):**

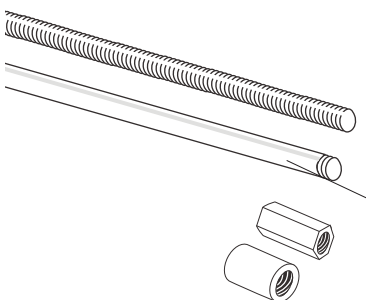
**White plastic cover for threaded rod (per meter):**

**M6** A-SPB CO-TR-6 1372734

**M10** A-SPB CO-TR-10 1372733

M6x32. Sjøtemutter / Splice Nut 1372828

M10x30. Sjøtemutter / Splice Nut 1301009



## SKRUER FOR LOE/SPB-LB PRODUKTER / SCREWS FOR LOE/SPB-LB PRODUCTS:



For korrugerte ståltak  
For corrugated steel roofs

### SELVBORENDE SKRUER

**SELF-TAPPING SCREWS** Type:

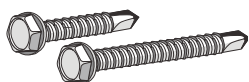
	Type:	Std. forpakk. STD. packs	PG. Art. no.	HDG Art. no.	SS Art. no.
4,2 x 13mm	S-M SC-SE-4,2x14	100	1372820		
4,2 x 25mm	S-M SC-SE-4,2x25	100	1372821		

### SELVBORENDE syrefaste SKRUER.

**SELF-TAPPING Stainless Steel SCREWS.**

4,8 x 13 mm	MARUTEX S-M SC-SE-4,8x13				1371373
4,8 x 25 mm	Marutex S-M SC-SE-4,8x25				1371374

**BITS: S-M SC-SE-BI-4,8 Art. no.1371375**



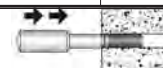
For hulldekke-element  
For concrete elements

### Slaganker med krave / Wedge anchor with collar

Velegnet for hulldekke-element

Suitable for concrete elements with channels

Type Dim	Pakn.Packs	Art. no.	Dor M10 / Drift M10 Art. no.	
S-M WE-M10x40	50	1306850	1908372	
S-M WE-M12x50	50	1306851		



**Dor M10 / Drift M10**

Art. no.

1908372



### Ekspansjonsbolter / Expansion bolts

M10 x 60.	SM AC-10x60	50	1372769	1371365	1371370
M10 x 85.	SM AC-10x80	50		1371366	1371371

For skjøtelasker /  
splice connectors

LOE 55/75 +

SPB-LB




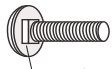









For oppheng / support LOE 55/75 and splice connectors LOE 100.

### LÅSESKRUER / LOCKING SCREWS / Self-Lock only in SS

m/linsehode og flensmutter / With pan head and flange nuts

M 6 x 12	SM LS-M6x12	200	1372750		1371981
M10 x 20	SM LS-M10x20	100			1371983
M10 x 25	SM LS-M0x25	100		1371980	

**SKRUER / SCREWS**

		TYPE		STD. packs PG+HDG/SS	PG. Art. no.	HDG Art. no.	SS Art. no.
 <b>LÅSESKRUER LOCKING BOLT SETS</b> *) Low m/linsehode og flensmutter With pan head and flange nuts <b>Self-Lock only in SS</b>	M 6 x 12 *		S-M LS-NU-M6x12	200	1372750		1371981
	M 6 x 16 *		S-M LS-NU-M6x16	200			84487
	M 6 x 20 *		S-M LS-NU-M6x20	100			1371982
	M 6 x 30		S-M LS-NU-M6x30	100	1372749		1371361
	M10 x 20 *		S-M LS-NU-M10x20	100			1371983
	M10 x 25 *		S-M LS-NU-M10x25	100		1371980	
	M10 x 50		S-M LS-NU-M10x50	50		1371589	1371362
 <b>LÅSESKRUER LOCKING BOLTS</b> *) Low High	M 6 x 12 *	DIN 603	S-M LS-M6x12	200	1372167		1372161
	M 6 x 16 *	DIN 603	S-M LS-M6x16	200			84493
	M 6 x 25	DIN 603	S-M LS-M6x25	200 / 100	1372169		1372162
	M 6 x 50	DIN 603	S-M LS-M6x50	200 / 100	1371360		85520
	M10 x 20 *	DIN 603	S-M LS-M10x20	200 / 100			1372163
	M10 x 25 *	DIN 603	S-M LS-M10x25	100 / 50		1372765	84352
	M10 x 30	DIN 603	S-M LS-M10x30	100 / 50		86008	89821
	M10 x 35	DIN 603	S-M LS-M10x35	100			82709
	M10 x 50	DIN 603	S-M LS-M10x50	50			89822
	M10 x 70	DIN 603	S-M LS-M10x70	50			81396
	 <b>SEKSKANTSKRUER HEXAGONAL BOLTS</b> Lengre utgaver leveres i DIN 931 delgjennet. Longer lengths in DIN 931 partly threaded. Spisset / Cone point	M 6 x 12	DIN 933	S-M HE-M6x12	200		
M 6 x 16		DIN 933	S-M HE-M6x16	200	1372171		1371318
M 6 x 20		DIN 933	S-M HE-M6x20	200	1372172		1371319
M 6 x 30		DIN 933	S-M HE-M6x30	200			1371320
M 8 x 20		DIN 933	S-M HE-M8x20	200		1371301	1371321
M 8 x 25		DIN 933	S-M HE-M8x25	200		1371302	1371322
M 8 x 30		DIN 933	S-M HE-M8x30	200		1371303	1371323
M10 x 16		DIN 933	S-M HE-M10x16	100	1372178		1371324
M10 x 20		DIN 933	S-M HE-M10x20	200 / 100		1371304	1371325
M10 x 25		DIN 933	S-M HE-M10x25	200 / 100		1371305	1371326
M10 x 30		DIN 933	S-M HE-M10x30	200 / 100		1371306	1371327
M10 x 35		DIN 933	S-M HE-M10x35	100		1371307	1371328
M10 x 45		DIN 933	S-M HE-M10x45	100		1371308	1371329
M10 x 50		DIN 933	S-M HE-M10x50	100		1371309	1371330
M10 x 55		DIN 933	S-M HE-M10x55	100 / 50		1371310	1371331
M12 x 25		DIN 933	S-M HE-M12x25	100		1371311	1371332
M12 x 35		DIN 933	S-M HE-M12x35	100		1371312	1371333
M12 x 45		DIN 933	S-M HE-M12x45	100 / 50		1371313	1371334
M10 x 40		DIN 933	S-M HE-M10x40	100		1371314	1371335
 <b>LINSESKRUER PAN HEAD SCREWS</b> With Torx T30		M 6 x 16	DIN 7985	S-M PS-M6x16	200	1372164	
	M 6 x 20	DIN 7985	S-M PS-M6x20	200	1372842		1372157
	M 6 x 25	DIN 7985	S-M PS-M6x25	200	84954		1372158
	M 6 x 30	DIN 7985	S-M PS-M6x30	200	1372166		1372159
	M 6 x 40	DIN 7985	S-M PS-M6x40	100	1372168		1372160
<b>BITS for torx T30 conical</b>	<b>Bits conical</b>		Torx T30		1371417		
 <b>FLENSMUTTERE FLANGE NUTS</b> Self-Lock only in SS	6 mm	DIN 6923	S-M NU-FL-M6	200	1372843		1371971
	8 mm	DIN 6923	S-M NU-FL-M8	200	1372831		1371972
	10 mm	DIN 6923	S-M NU-FL-M10	200	1372832	1372180	1371973
	12 mm	DIN 6923	S-M NU-FL-M12	200			1371343
 <b>SEKSKANTMUTTERE HEXAGONAL NUTS</b>	M 6 x 10	DIN 934	S-M NU-M6	100	1372844		1372781
	M 8 x 13	DIN 934	S-M NU-M8	100		1372176	1371340
	M10 x 17	DIN 934	S-M NU-M10	100 / 50		1372845	1371341
	M12 x 19	DIN 934	S-M NU-M12	100 / 50		1372179	1371342
 <b>SKIVER WASHERS</b> Type codes: Type codes: 10.5 x 20 x 2	⊙ 5x30.5x1.5		S-M WA-5x30.5x1.5	200			84394
	⊙ 6x12x1.6	DIN 125	S-M WA-6.4x12x1.6	200			1372782
	⊙ 6x18x1.6	DIN 125	S-M WA-6.4x18x1.6	200	1372175		1371349
	⊙ 6x25x1.5		S-M WA-6x25x1.5	200	1372848		1371350
	⊙ 8x16x1.6	DIN 125	S-M WA-8.4x16x1.6	100	1372849	1371345	1371351
	⊙ 8x40.3x1.5		S-M WA-8x40.3x1.5	200			84345
	⊙ 10.5x20x2	DIN 125	S-M WA-10.5x20x2	100		1372850	1371352
	⊙ 12x24x2.5	DIN 125	S-M WA-13x24x2.5	100		1371346	1371353
	■ 7x30.4x1.5		S-M WA-7x30.4x1.5	200			84562
	■ 11x32x1		S-M WA-11x32x1	200			1371354
	■ 7x35x2		S-M WA-7x35x2	200	1371594		
⊠ 10x(29x33)x3		S-M WA-10x(29x33)x3	200	84110			
 <b>STJERNESKIVER STAR WASHERS</b>	M 6	DIN 6798	S-M SW-M6	200	1372852		1371355
	M 8	DIN 6798	S-M SW-M8	100			1371356
	M10	DIN 6798	S-M SW-M10	100	1372854		1371357
	M12	DIN 6798	S-M SW-M12	100	1371359		1371358
 <b>EKSPANSJONSBOLTER CONCRETE ANCHOR BOLTS</b> Kvaliteter: V.G. = 5.8 Qualities: S.S. = A4-70 P.G. = 5.8	M 6 x 40		S-M AC-6x40	100	1372767		
	M 6 x 52		S-M AC-6x52	100			1371368
	M 8 x 50		S-M AC-8x50	100	1372768		1371369
	M 8 x 60		S-M AC-8x60	100		1371364	
	M10 x 60		S-M AC-10x60	50	1372769	1371365	1371370
	M10 x 92		S-M AC-10x92	50		1371366	1371371
	M12 x 110		S-M AC-12x110	25			89823
 <b>SELVBORENDE SKRUER INTIL/UP TO 1 mm stålplate/steelplate</b> <b>INTIL/UP TO 3 mm stålplate/steelplate</b> <b>INTIL/UP TO 3 mm stålplate/steelplate</b>	4.2 x 13mm		32-PH	100	1349417		
	4.2 x 14mm		34-PH	100	1372820		
	4.2 x 25mm		36-PH	100	1372821		
 <b>SELVBORENDE RUSTFRI SKRUER / SELF-TAPPING STAINLESS STEEL SCREWS</b> For opp til 2.5mm tykkelse For up to 2.5mm thickness <b>Bits for Marutex</b>	4.8 x 13 mm	MARUTEX M4.8x13	SS in A2 quality	100			1371373
	4.8 x 25 mm	Marutex M4.8x25	SS in A2 quality	100			1371374
		<b>Bits</b>				1371375	

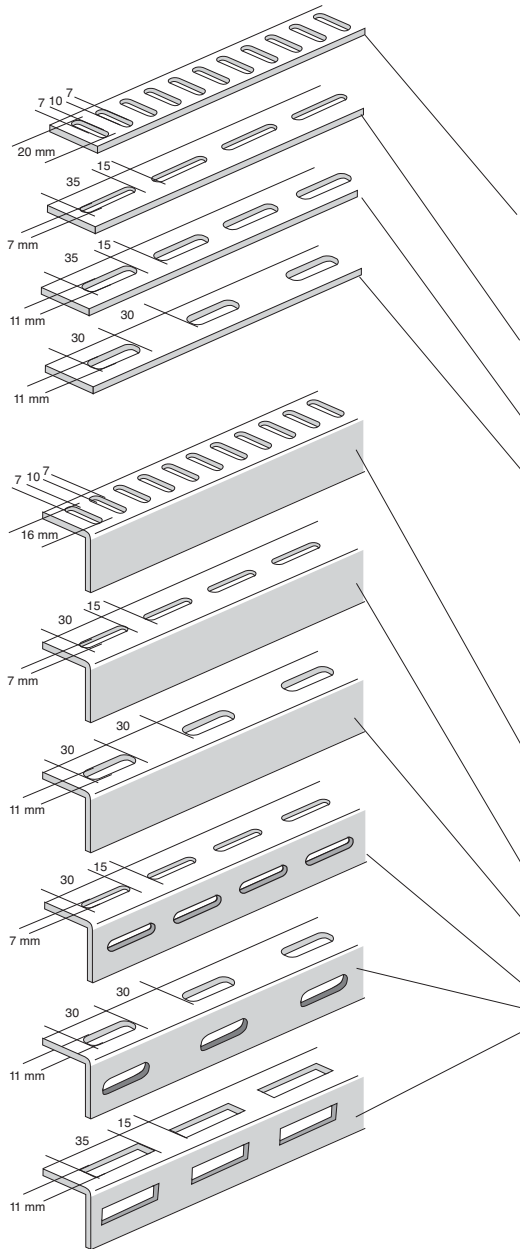
PR = Primet / Primed  
 HDG = Varmgalv./ Hot Dip Galvanized  
 SS = Rustfritt stål / Stainless Steel EN 1.4404  
 ALU = Aluminium

## Perforerte profiler

Benyttet til diverse oppheng og feste for baner, stiger og annen utrustning. Videre til skapskinner, tavlebygging ol.  
 Leveres i 3m lengder.

## Perforated Profiles

For various support of trays, ladders and electrical installations.  
 Available in 3m lengths.



### Flattstål / Flat Iron

#### Perforert på tvers / Crosswise perforated

Type	PR Art. no.	HDG Art. no.	SS Art. no.	ALU Art. no.	Weight HDG (kg)
FI-CW-7x20-30x5x3000	1372104	1372130			2,6
FI-CW-7x20-40x5x3000	1372105	1372131			3,8
FI-CW-7x20-50x4x3000	1372101	1372103			4,0

#### Perforert på langs / Lengthwise perforated

Type	PR Art. no.	HDG Art. no.	SS Art. no.	ALU Art. no.	Weight SS (kg)
FI-LW-7x35-25x5x3000	1372107	1372111	1371930		2,4
FI-LW-7x35-30x5x3000	1372108	1372112	1371931	78173	3,0
FI-LW-7x35-40x5x3000	1372109	1372113	1371932	78229	4,2
FI-LW-7x35-50x5x3000	1372110	1372114	1371933		5,5
FI-LW-11x35-40x5x3000	81477	81484	86858		3,9
FI-LW-11x30-50x5x3000		81485	1371935		5,4
FI-LW-11x30-40x6x3000			1371984		5,0
FI-LW-11x30-40x8x3000	1372100	1372102			6,6

### Vinkelstål / Angle Iron

#### Perforert på tvers / Crosswise perforated

Type	PR Art. no.	HDG Art. no.	SS Art. no.	ALU Art. no.	Weight HDG (kg)
AI-CW-7x16-30x30x3x3000	1372132	1372134	1371942	78228	3,9
AI-CW-7x16-40x40x4x3000	1372133	1372140	1371943		6,9

#### Perforert på langs / Lengthwise perforated

Type	PR Art. no.	HDG Art. no.	SS Art. no.	ALU Art. no.	Weight HDG (kg)
AI-LW-7x30-30x30x3x3000	1372115	1372117	1371939		3,9
AI-LW-7x30-40x40x4x3000	1372116	1372118	1371940		6,9
AI-LW-7x30-50x50x3x2000				78045	1,5*
AI-LW-11x30-50x50x5x3000	1372119	1372120	1371941		10,7

#### Perforert dobbelt på langs / Double lengthwise perforated

Type	PR Art. no.	HDG Art. no.	SS Art. no.	ALU Art. no.	Weight HDG (kg)
AI-LW-7x30-40x40x4x3000			1371945		6,6
AI-LW-11x30-50x50x5x3000		78662	1371946		10,1
AI-LW-11x35-49x49x4x1500		82341	82342		3,6

Eksakte lengder opp til 1,5m leveres på forespørsel. \*) Weight in ALU  
 Predefined lengths up to 1,5m are supplied on request.

### Sveiseprofil for tubingklammer

For rask og enkel tubing installasjon med ETIN tubingklammer.  
 Leveres i lengder på 3m.

### Welding Channel for tubing clamps

For quick and easy tubing installation with ETIN tubing clamp.  
 Available in 3m lengths.

Type	PG Art. no.	HDG Art. no.	SS Art. no.	ALU Art. no.	Weight SS (kg/m)
RZ- WB	78463		78497		1

# SALGSKONTORER LOCATIONS

## HOLDING COMPANY

Øglaend Industrier AS  
P.O. Box 133  
NO-4358 Kleppe  
Tel.: + 47 51 78 81 00  
Fax: + 47 51 78 81 60  
Email: ogvind@oglsys.no  
www.oglaend-system.com

## DATTERSELSKAP/SUBSIDIARY

**Norway**  
Øglaend System AS  
Head office/factory  
P.O. Box 133  
NO-4358 Kleppe  
Tel.: + 47 51 78 81 00  
Fax: + 47 51 78 81 60  
Fax sales office: + 47 51 78 81 61  
Email: oglaend@oglsys.no  
www.oglaend-system.com

## Denmark

Øglaend System ApS  
Tel.: +45 86 88 66 66  
Fax: +45 86 88 66 67  
Email: oglaend-system@oglsys.dk

## Dubai (Middle East)

Øglaend Industries Middle East  
Tel.: + 971 4 3415986  
Fax: + 971 4 3415987  
Mobile: + 971 50 55 86 183  
Email: oglaendsys\_me@xsmall.com

## Malaysia

Øglaend Industries SDN BHD  
Tel.: + 60 3 51 922 049  
Fax: + 60 3 51 922 039  
Mobile: + 60 1 26 85 57 65  
Email: sales@oglaendind.com  
fraser@oglaendind.com

## The Netherlands

Øglaend System BV  
Tel.: + 31 1804 14 204  
Fax: + 31 1804 19 395  
Email: info@oglaend-system.nl

## Russia (St. Petersburg)

Øglaend System Russia  
Tel.: +7(812) 313 1580  
Fax: +7(812) 313 1580  
Email: info@oglsys.ru  
www.oglaend-system.ru

## Singapore (South East Asia)

Øglaend System Singapore Pte. Ltd.  
Tel.: + 65 67 48 82 78  
Fax: + 65 67 48 86 15  
Email: oglaend.system@pacific.net.sg

## Sweden

Øglaend System AB  
Tel.: + 46 (0)40 45 74 60  
Fax: + 46 (0)40 45 74 62  
Email: oglaend-system@oglsys.se

## UK

Øglaend System UK Ltd.  
Tel.: + 44 121 552 9662  
Fax: + 44 121 544 6627  
Email: oglaend.system@oglsys.co.uk

## USA

Øglaend System USA c/o Source IEC  
Tel.: +1 281 882 8300  
Fax.: +1 281 882 8305  
Email: graeme.morgan@oglsys-us.com

## Korea

Øglaend System Korea Co Ltd  
Tel.: + 82 518 320 761  
Fax: + 82 518 320 762  
Email: oglaend@oglaend-system.co.kr

## SALGSKONTORER/SALES OFFICES

### Norway

Øglaend System AS, Division Oslo:  
Tel.: + 47 22 25 15 10  
Fax: + 47 22 25 25 21

### Øglaend System AS, Division Ålesund:

Tel.: + 47 70 19 09 50  
Fax: + 47 70 19 09 51

### Øglaend System AS, Division Trondheim:

Tel.: + 47 73 80 99 70  
Fax: + 47 73 80 99 77

## AGENTER - FORHANDLERE/ AGENTS - DISTRIBUTORS

### Abu Dhabi

Proserv Albadie LLC  
Tel.: + 971 26 27 73 70  
Fax: + 971 29 27 79 72  
Email: proserv@emirates.net.ae  
www.proserv.no

### Australia

J. T. Day Pty. Ltd.  
Tel.: + 61 8 93 45 33 88  
Fax: + 61 8 93 45 30 68  
Email: enquiries@jtday.com.au  
www.jtday.com.au

### Brazil

M.O.TECH do Brazil  
Tel.: + 55 21 2532 2101  
Fax: + 55 21 2517 2437  
Email: motech@motech.com.br  
www.motech.com.br

### Brunel

Shinba Integrated Engineering Services  
Tel.: + 673 333-1489  
Fax: + 675 333-6333  
Email: info@shinbaies.com

### Canada

Apel/CSA Enterprises  
Tel.: + 1 902 450 5647  
Fax: + 1 902 450 5286  
Email: urquhart@csarep.com  
www.csarep.com

### NOSO Ltd.

Tel.: + 1 709 782 2645  
Fax: + 1 709 782 0534  
Email: mshinkle@coil.ca  
www.noso.ca

### Finland

Elmarino - Shipping OY  
Tel.: + 358 22 54 61 00  
Fax: + 358 22 54 62 76

### Finn H&T Group Oy

Tel.: +358 45 630 4004  
Fax: +358 3 5752550  
Email: teppo.kuivanen@finnhtgroup.fi  
www.finnhtgroup.fi

## Iceland

Smith & Norland  
Tel.: + 354 52 03 000  
Fax: + 354 52 03 011  
Email: sminor@sminor.is  
www.sminor.is

## Indonesia

PT. Multi Tarex Mullia  
Tel.: + 62 21 3983 5337  
Fax: + 62 21 3983 5340  
Email: agus@multitarex.co.id  
www.multitarex.com

## Italy

Ecis Group  
Tel.: +39 039 27881  
Fax: +39 039 2781353  
E-mail: seco@ecisgroup.it  
www.ecisgroup.it

## Malaysia

Esteem Link (Letrik Utama) SND BHD  
Tel.: + 60 6 85 417 230, 430 580  
Fax: + 60 6 85 414 352  
Email: ellusb@tm.net.my

## Thailand

Probitry International Co Ltd.  
Tel.: + 66 2 710 6146 Ext. 107  
Fax: + 66 2 710 6147  
Email: ak@probitry.co.th  
www.probitry.co.th

## USA (Texas and Louisiana)

Source IEC  
Tel.: + 1 281 882 8300  
Fax: + 1 281 882-8305  
Email: bob.johnson@sourceiec.com  
www.sourceiec.com

## Vietnam

MT Corporatin  
Tel.: + 848 821 0373  
Fax: + 848 821 0358  
Email: mail@mt-co.com



- \* HEAD OFFICE AND FACTORY
- SUBSIDIARIES
- AGENTS - DISTRIBUTORS
- ▲ SALES OFFICES
- X FABRICATION FACILITIES

# SIMPLY THE BEST!

Dette har vært vårt motto helt siden firmaet ble grunnlagt i 1977.

Ved å følge dette mottoet har vi blitt markedslederen innen våre felt – globalt.

Øglænd Systems mål er å utvikle systemer som er de beste, enkleste og mest økonomiske på markedet.

This has been our motto since the company was founded in 1977. By living up to the motto we have become the market leader in our field – worldwide.

Oglaend System s goal is to develop systems that are better, simpler and more economic overall.



Konsern/Holding company:  
Øglænd Industrier AS

Datterselskap/Subsidiary:  
Øglænd System AS  
Hovedkontor fabrikk/Head Office factory:  
P.O. box 133, NO-4358 Kleppe,  
Tel.: +47 51 78 81 00, Fax: (47) 51 78 81 60  
Fax sales office: +47 51 78 81 61