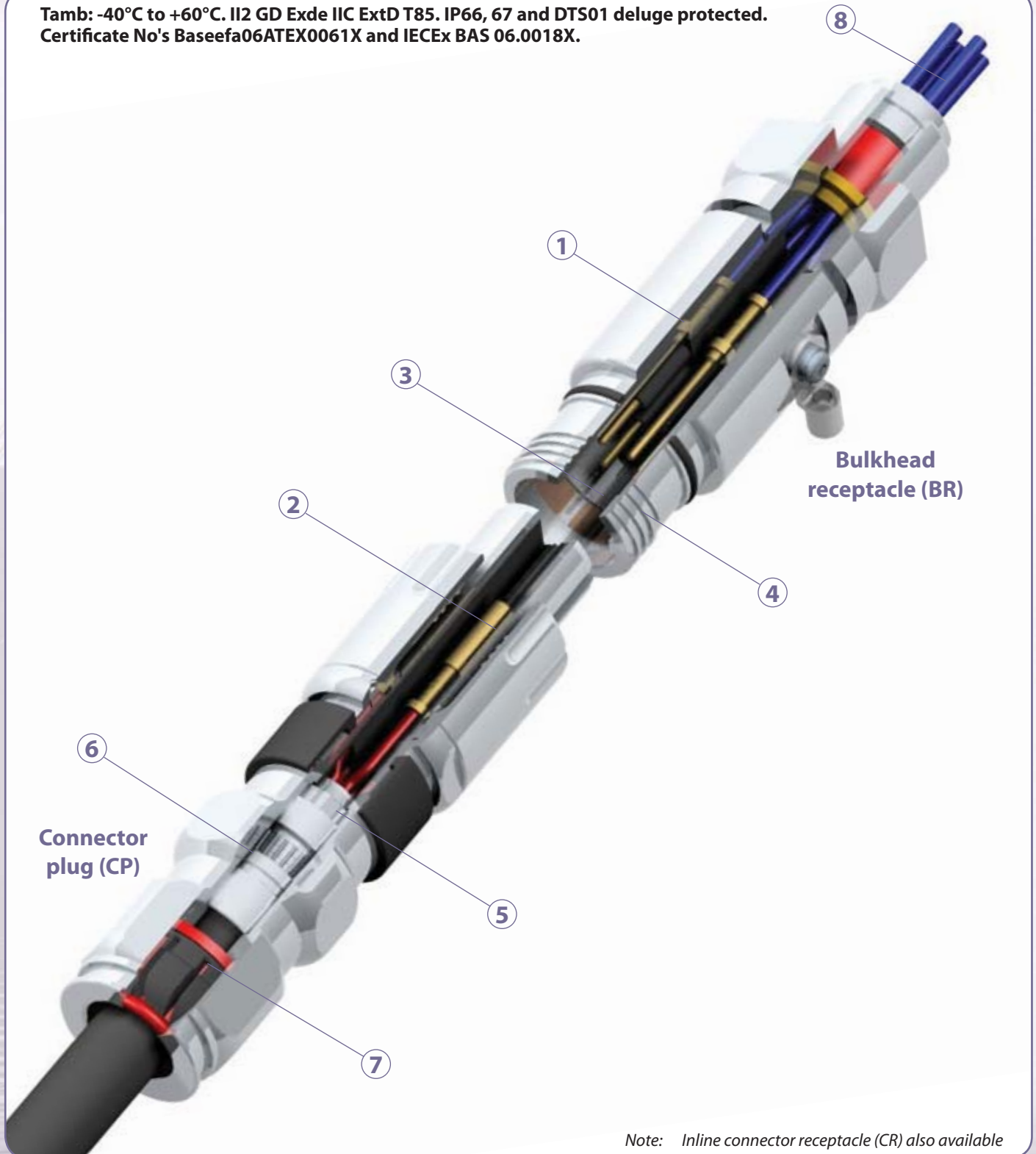


**Tamb: -40°C to +60°C. II2 GD Exde IIC ExtD T85. IP66, 67 and DTS01 deluge protected.
Certificate No's Baseefa06ATEX0061X and IECEx BAS 06.0018X.**





1

Electrical Insert with Key

Easy to assemble electrical insert allows crimped or soldered connections.



2

Keyed Positions

Secondary keying on the actual insert bodies guarantees contact alignment, preventing pin damage.



3

Integral Keying

Machined key and keyway ensures connector alignment. Unique 5 position insert keying system prevents cross-mating.



4

Quick Connect

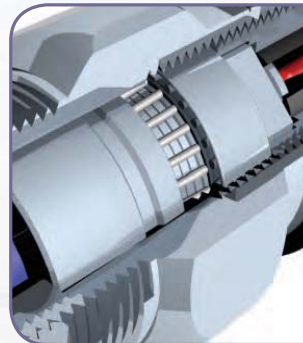
Unique 4 start ACME thread offers a smooth and quick fully mating action in less than two turns. Earth continuity is achieved via a 360° contact clip.



5

Anti-rotation

Profiled Spigot and connector body prevent cable rotation, eliminating cable damage.



6

Reversible Armour Clamp

The Instrum^{Ex} incorporates Hawke's proven and patented armour termination method to accommodate different types of armour or braid.



7

Versatile LSFZH Rear Seal

Accommodates a wide range of cable sizes and provides highly effective cable grip and ingress protection.



8

Pre-terminated

All BR connectors are supplied with pre-terminated tails to suit your requirements.