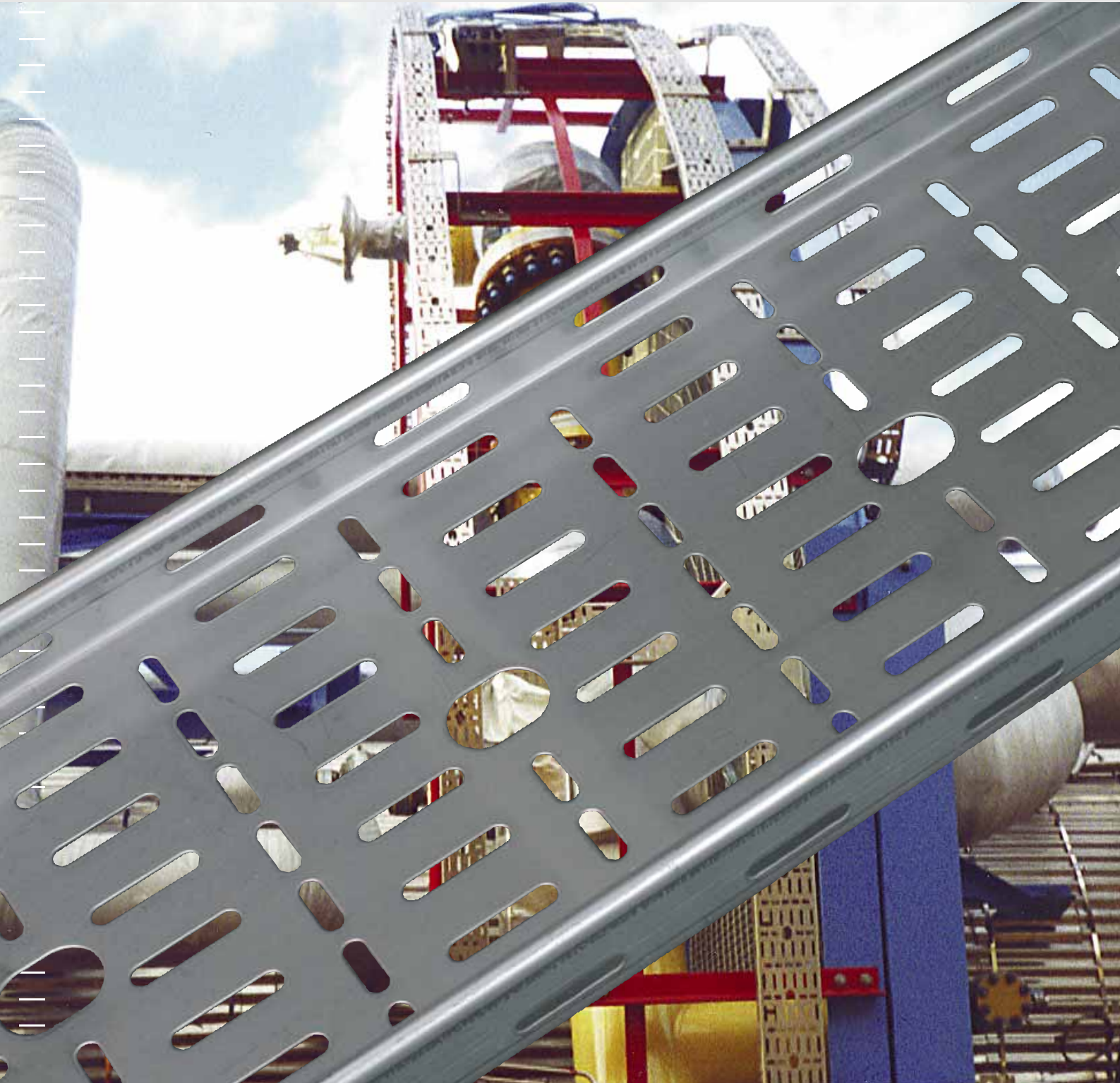




KABELBANESYSTEM CABLE TRAY SYSTEM Type SPB



Being first is good, being smart is better, being both is Simply the Best!



PRODUKT- INFORMASJON

Øglaend System tilbyr opphengssystemer tilpasset alle faggrupper, kabelstiger, kabelbaner, koblingsboksstativ, rørklammer, kabelklammer (trefoil cleats), varmekabler, styringssystemer m.m.

Har du spørsmål?
Vennligst ta kontakt.

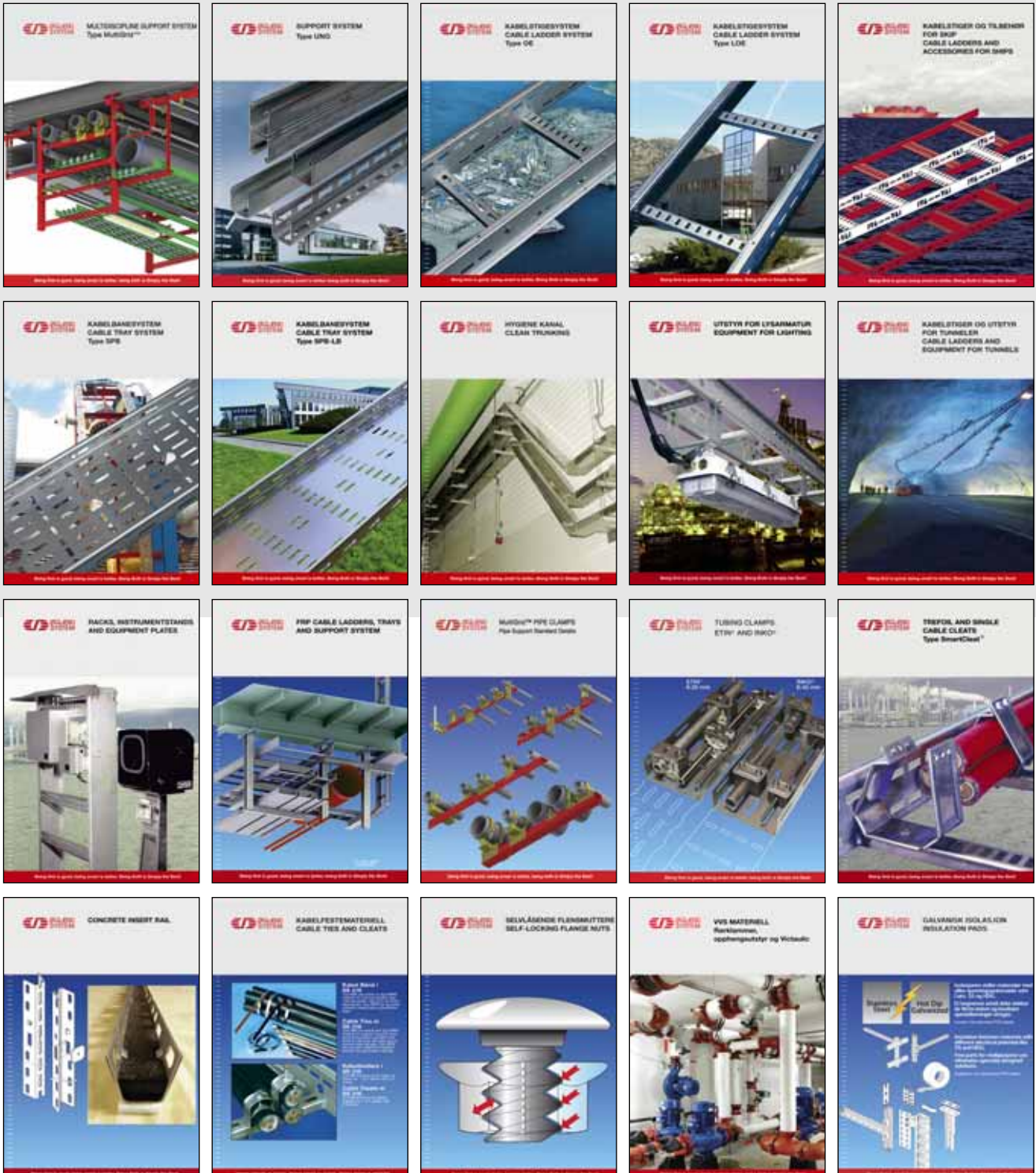
Firmapresentasjon
Company presentation

Last ned siste versjon av våre produktkataloger fra:
Download our latest version of product catalogues from: www.oglaend-system.com

PRODUCT INFORMATION

Oglaend System offer a broad range of cable support systems for all applications, e.g. cable ladders, cable trays, junction box racks, tubing clamps, cable cleats, heating cables, control systems etc.

If you need further information,
please do not hesitate to contact us!



Rett til mindre tekniske endringer forbeholdes.
Sjekk våre websider for siste utgave.

Subject to minor changes without notice.
Check our website for latest issues.

MATERIAL NAVN / MATERIAL TYPES:

PG = Pregalvanisert stål	Pre galvanized steel	20 my zink
HDG = Varmgalvanisert	Hot Dip Galvanized	NS/ISO 1461*
SS = Rustfritt stål	Stainless Steel	AISI 316L**
AL = Aluminium	Aluminium	5052 H22/H32
CS = Ubehandlet stål	Carbon steel (Black steel)	EN 10025-S355J2

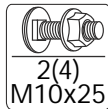
*) Steel quality for HDG: Steel grade EN 10130 Grade DC01

**) Steel quality for SS: EN 1.4404

Andre kvaliteter på forespørsel / Other material qualities on request.

SYMBOLER FOR SKRUER / SYMBOLS FOR SCREWS:

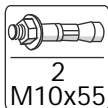
Symbolet viser skruetype, **minimum antall** og typebenevnelse. **Bestillingsnummer er på s. 18.**



This symbol shows type of screw, **the number needed** and name. **For order no. - see page 18.**

SYMBOLEKSEMPLER:

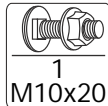
Ekspansjonsbolter
Behov: 2 stk.
Type M10x55



SYMBOL EXAMPLES:

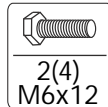
Expansion bolts
2 pcs. needed.
Type M10x55.

Låseskrue m. linsehode
Behov: 1 stk.
Type M10x20.



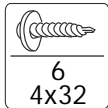
Locking screws
1 pcs. needed.
Type M10x20.

Sekskantskrue
Behov: Min. 2 stk.
(4) Kan brukes*.
Type M6x12.



Hexagonal screws
Minimum 2 pcs. needed.
(4) May be used*.
Type M6x12.

Selvborende skrue
Behov: 6 stk.
Type 4x32.



Self tapping screw
6 pcs. needed.
Type 4x32.

Standard: Skruer er inkludert!

Oppgitt skruerantall før parentes leveres standard med delene.

(4) Skruer i parentes er IKKE inkludert!

Ved spesielle forhold sikres montasjen med antall oppgitt i parentes. Disse ekstra skruene bestilles separat.

Standard: Screws are included!

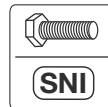
The number of screws and nuts before the brackets are included when ordering the part.

(4) Screws in brackets are NOT included!

The number in brackets represents the number of screws that can be fitted to fix the part. These must be ordered separately.

Skruer IKKE inkludert!

SNI: Skruer ikke inkludert.

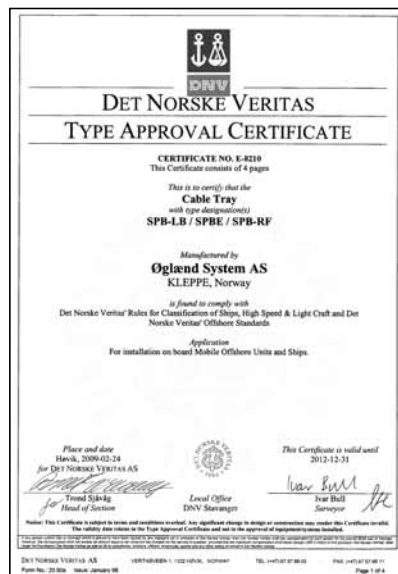


Screws NOT Included!

SNI: Screws not included.

Innhold: Contents:

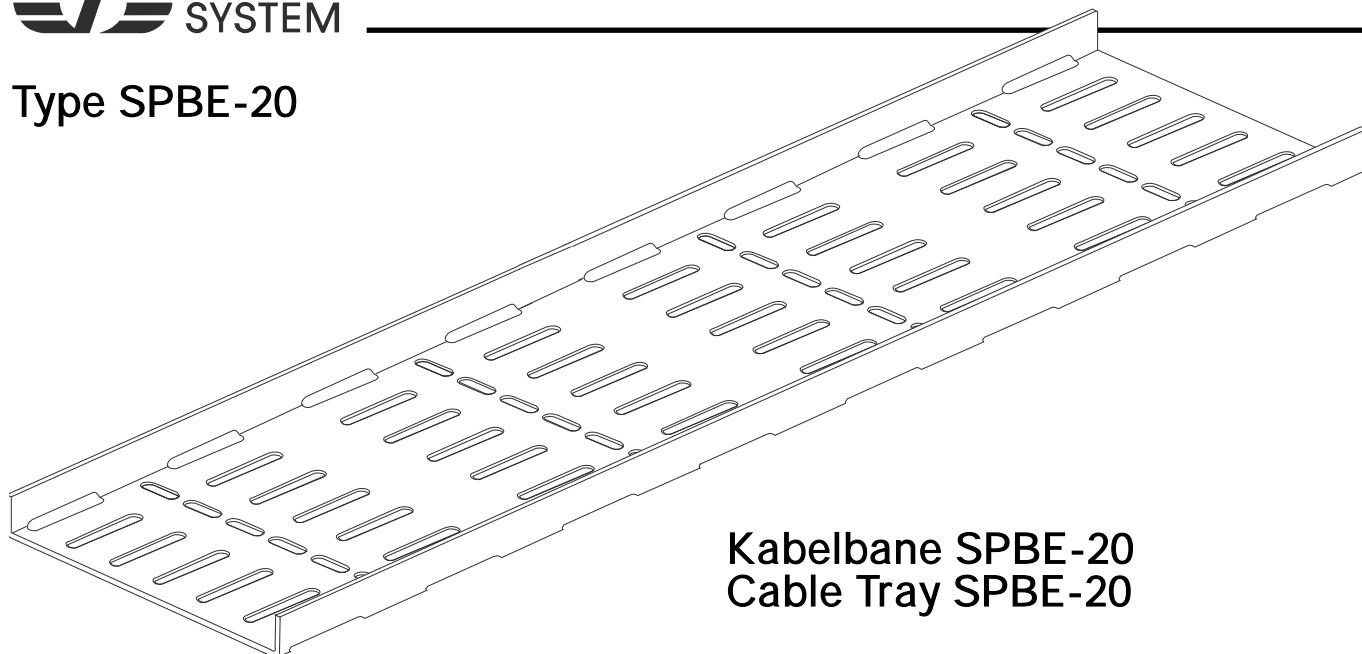
Symbolforklaring Explanation of symbols	3
Type SPBE-20	4
Type SPBE-40	5
Type SPB-RF	6
Bend Bends	7
Vertikalbend Risers	8
Kombi Riser SPB-KR 40	9
Skjøtevinkler og oppheng Splice Connectors and Support	10
Tilbehør Accessories	12
Deksel til Bend og Vertikalbend Bend Covers and Risers	14
Jordingsforbindelse Earth Link "Jumpers"	15
Utstyr for Etin instrumentrørklammer Equipment for Etin tubing clamp	15
Perforerte Profiler Perforated Profiles	17
Skruer Screws	18
Salgskontorer Locations	19



DNV Type Approval Certificate

Oglænd System's tray type SPB-LB, SPBE and SPB-RF are certified by DNV, certificate no. E-8210. The product range is tested according to IEC 61537.

Type SPBE-20



Kabelbane SPBE-20 Cable Tray SPBE-20

Lengde / length: 3m
 Material thickness: HDG and AL: 2,0 mm
 PG: 1,5 mm(50-200) 2 mm(300-600)
 SS: 1,5 mm

På forespørsel /
 On request: Epoxy coated and special treatment.

BELASTNINGSTABELL SPBE-20: SWL (kg/m)

Alle tester er utført i henhold til IEC 61537.

LOADING TABLE SPBE-20: SWL (kg/m)

All tests are according to IEC 61537.

SWL: Safe Working Load

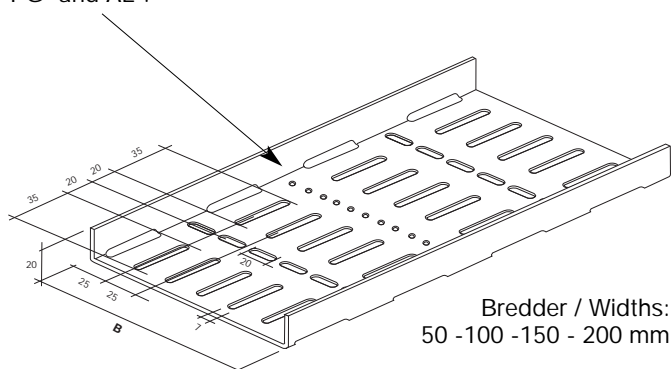
Material quality	Material mm	Opphengsavstand Support spacing	
		1,5 m	2,0 m
HDG	2,0	60	25
SS	1,5	40	12

I PG* og AL* med hull til selvborende skruer.

Hullrekke til selvborende skruer (se hullmønster under) utføres kun i breddene 50-200 mm i materialkvalitetene PG* og AL*.

In PG* and AL* with preslots for self tapping screws.

Preslotted holes for self tapping screws (study the slot design below) only for the widths 50-200 mm in the material qualities PG* and AL*.



Lasteevne pr. m: Tabellen viser maksimalt tillatt belastning ved

1,5 og 2 mm materialtykkelse, inkludert sikkerhetsfaktor 1,7.

Testprosedyren betinger at lengden på endespennet reduseres til 3/4 av supportavstanden.

Capacity per m: The table shows maximum allowed safe working load

with 1,5 and 2 mm material thickness, including a safety factor of 1,7.

According to the test procedure the length of the end span must be reduced to 3/4 of the support spacing.

SPBE-20

Type angir vangehøyde + banebredde.

Type states height of side piece + tray width.

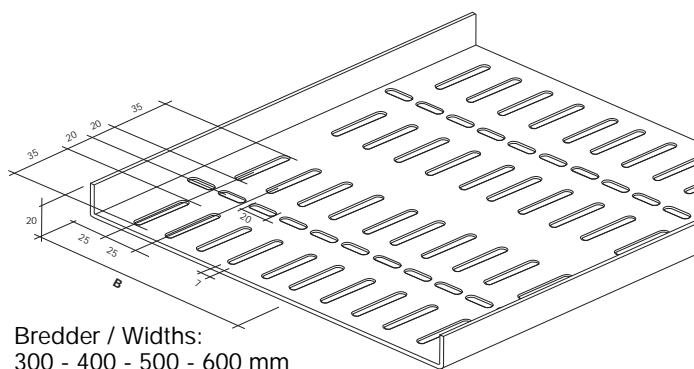
Type	PG Art. no.	HDG Art. no.	SS Art. no.	AL Art. no.	Weight SS (kg/m)
SPBE-20-50	1372201	1371400	1371408	1372217	0,9
SPBE-20-100	1372203	1371401	1371409	1372219	1,4
SPBE-20-150	1372205	1371402	1371410	1372221	1,9
SPBE-20-200	1372207	1371403	1371411	1372223	2,4

SPBE-20

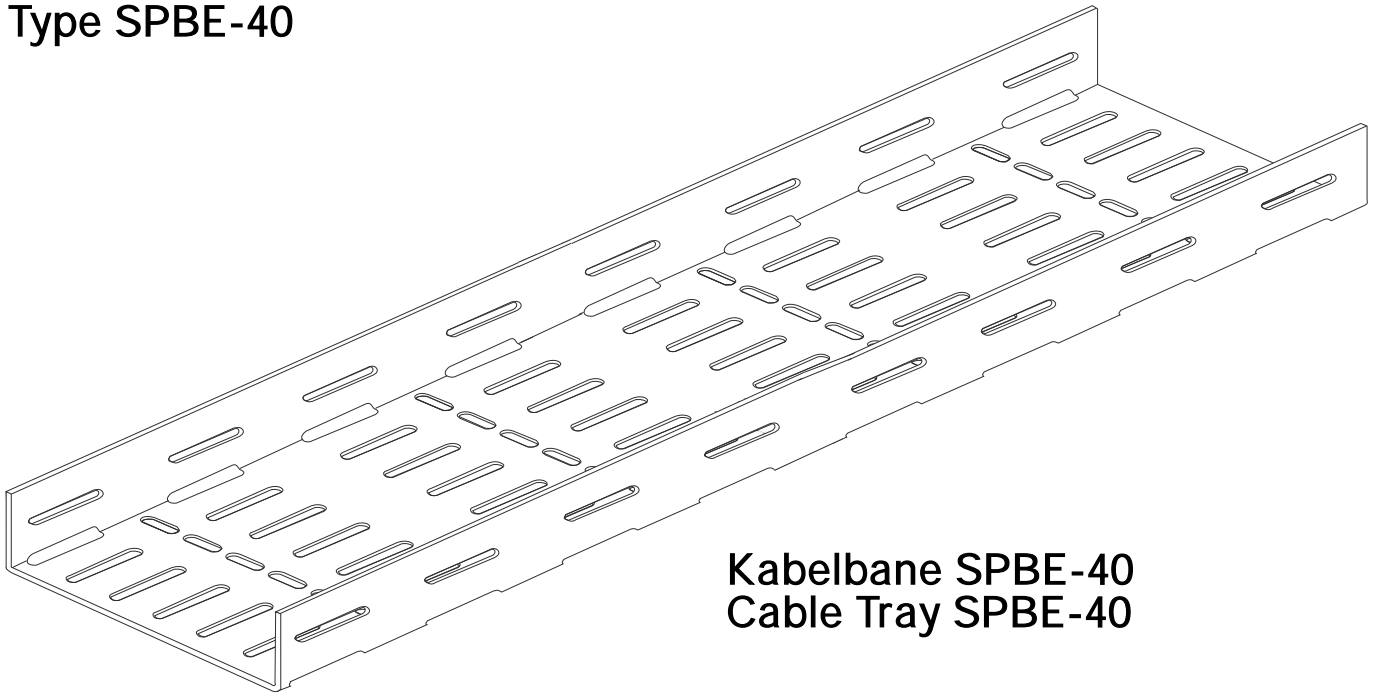
Type angir vangehøyde + banebredde.

Type states height of side piece + tray width.

Type	PG Art. no.	HDG Art. no.	SS Art. no.	AL Art. no.	Weight SS (kg/m)
SPBE-20-300	1372209	1371404	1371412	1372225	3,7
SPBE-20-400	1372211	1371405	1371413	1372227	4,8
SPBE-20-500	1372213	1371406	1371414	1372229	6,0
SPBE-20-600	1372215	1371407	1371415	1372231	6,9



Type SPBE-40



Kabelbane SPBE-40 Cable Tray SPBE-40

Lengde / length: 3m
 Material thickness: PG: 1,5 mm(50-200) 2 mm(300-400)
 HDG: 1,5 mm(50-100) 2 mm(150-400)
 SS: 1,5 mm
 AL: 2,0 mm

På forespørsel /
 On request: Epoxy coated and special treatment.

I PG* og AL* med hull til selvboende skruer.

Hullrekke til selvboende skruer (se hullmønstre under) utføres kun i materialkvalitetene PG* og AL*.

In PG* and AL* with preslots for self tapping screws.

Preslotted holes for self tapping screws (study the slot designs below) only in the material qualities PG* and AL*.

BELASTNINGSTABELL SPBE-40: SWL (kg/m)

Alle tester er utført i henhold til IEC 61537.

LOADING TABLE SPBE-40: SWL (kg/m)

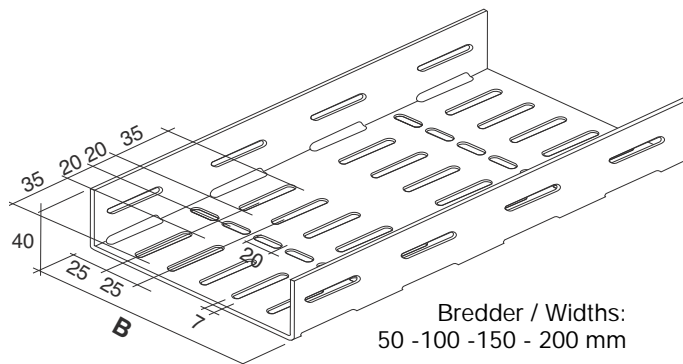
All tests are according to IEC 61537.

SWL: Safe Working Load

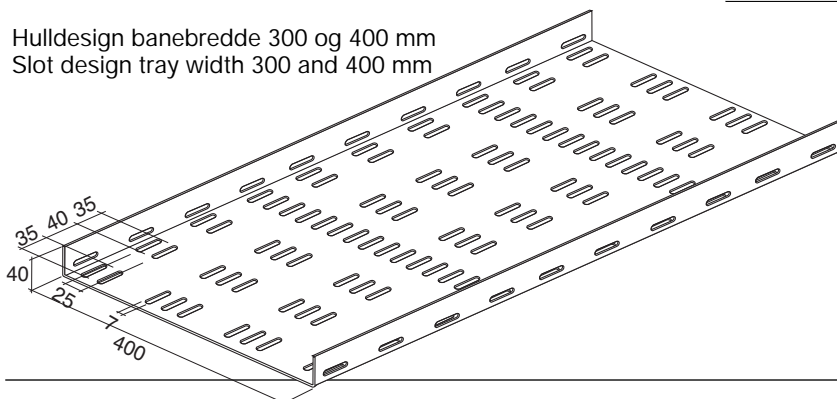
Material quality	Material mm	Opphengsavstand Support spacing		
		2,0 m	2,5 m	3,0 m
SS	1,5	34	32	22

Lasteevne pr. m: Tabellen viser maksimalt tillatt belastning ved 1,5 mm materialtykkelse, inkludert sikkerhetsfaktor 1,7. Testprosedyren betinger at lengden på endespennet reduseres til 3/4 av supportavstanden.

Capacity per m: The table shows maximum allowed safe working load with 1,5 mm material thickness, including a safety factor of 1,7. According to the test procedure the length of the end span must be reduced to 3/4 of the support spacing.



Hulldesign banebredde 300 og 400 mm
 Slot design tray width 300 and 400 mm



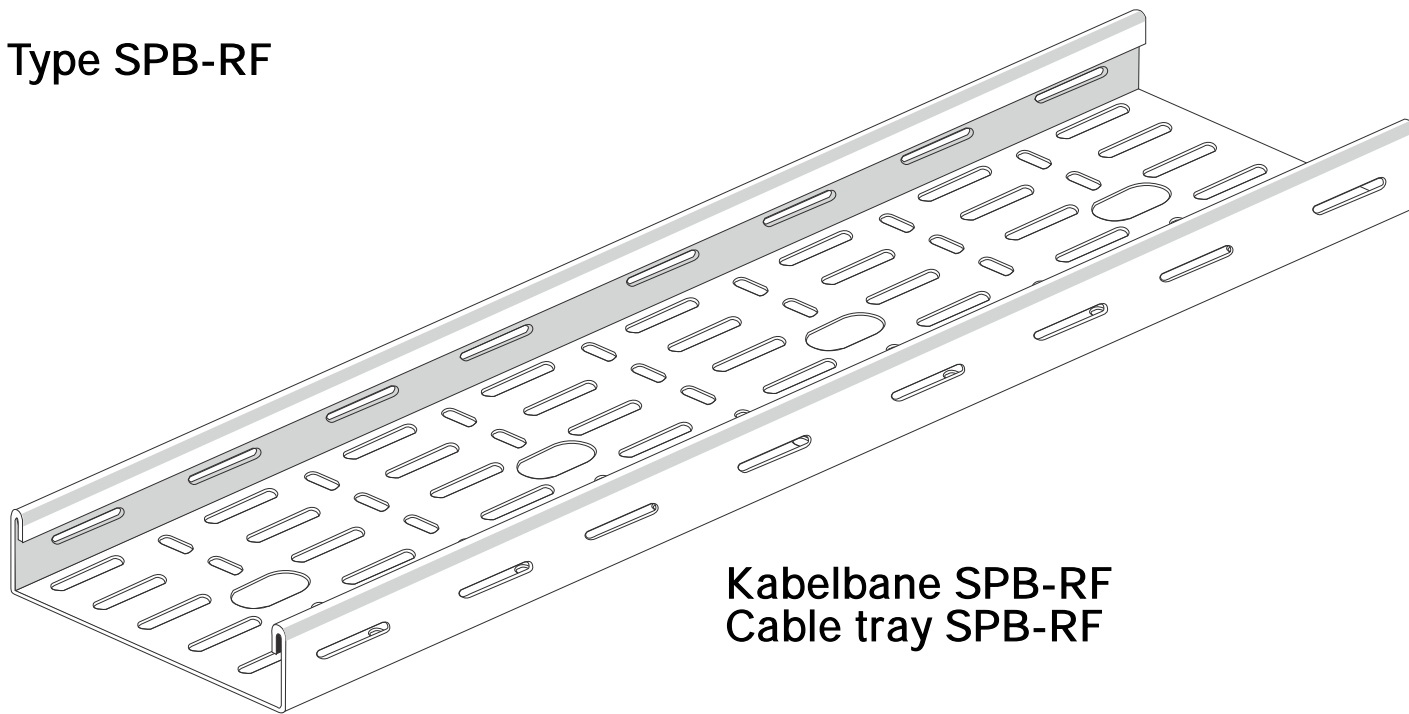
SPBE-40

Type angir vangehøyde + banebredde.

Type states height of side piece + tray width.

Type	HDG Art. no.	SS Art. no.	AL Art. no.	Weight SS (kg/m)
SPBE-40-50	1371740	1371745	1372233	1,3
SPBE-40-100	1371741	1371746	1372235	1,9
SPBE-40-150	1371742	1371747	1372237	2,3
SPBE-40-200	1371743	1371748	1372239	2,9
SPBE-40-300	1302008	1371749	1372241	4,0
SPBE-40-400	1302009	1371750	1372243	5,0

Type SPB-RF



Kabelbane SPB-RF Cable tray SPB-RF

Lengde / length: 3m
 Material thickness: AL: 2,0 mm
 HDG and PG: 1,5 mm (50-200)
 2 mm (300-600)
 SS: 1,5 mm
 På forespørsel /
 On request: Epoxy coated and special treatment.

BELASTNINGSTABELL SPB-RF-40: SWL (kg/m)

Alle tester er utført i henhold til IEC 61537.

LOADING TABLE SPB-RF-40: SWL (kg/m)

All tests are according to IEC 61537.

SWL: Safe Working Load

Material quality	Material mm	Opphengsavstand Support spacing		
		2,0 m	2,5 m	3,0 m
HDG	2,0*	226	137	102
SS	1,5	165	101	67

Lasteevne pr. m: Tabellen viser maksimalt tillatt belastning ved 1,5 og 2 mm materialtykkelse, inkludert sikkerhetsfaktor 1,7. Testprosedyren betinger at lengden på endespennet reduseres til 3/4 av supportavstanden.

Capacity per m: The table shows maximum allowed safe working load with 1,5 and 2 mm material thickness, including a safety factor of 1,7. According to the test procedure the length of the end span must be reduced to 3/4 of the support spacing.

*) Baner med materialtykkelse 1,5 mm i HDG er ikke testet i henhold til IEC61537.

*) Trays with material thickness 1,5 mm has not been tested according to IEC61537.

SPB-RF

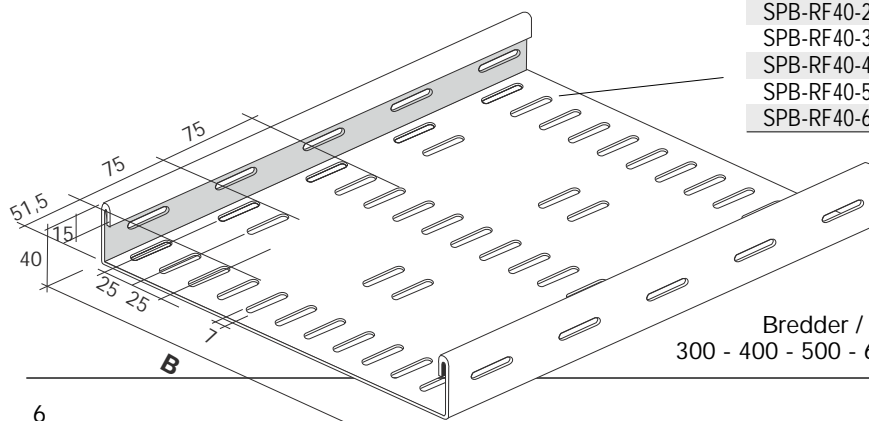
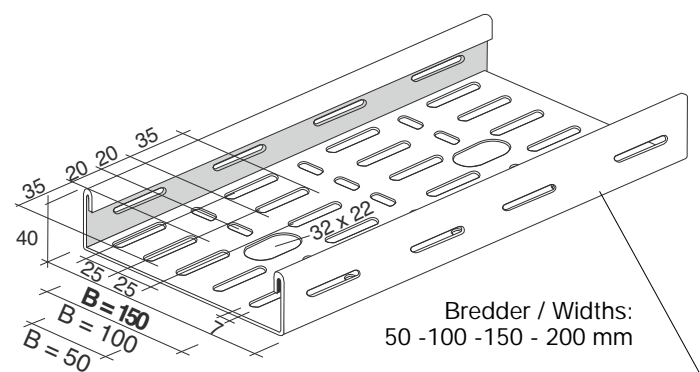
Type angir vangehøyde + banebredde.

Type states height of side piece + tray width.

Type	HDG Art. no.	SS Art. no.	AL Art. no.	Weight SS (kg/m)
SPB-RF40-50	1302000	1371751	78637	1,7
SPB-RF40-100	1302001	1371752	78638	2,2
SPB-RF40-150	1302002	1371753	78639	2,6
SPB-RF40-200	1302003	1371754	78640	3,3
SPB-RF40-300	1302004	1371755	78641	4,4
SPB-RF40-400	1302005	1371756	78642	6,0
SPB-RF40-500	1302006	1371757	78643	7,2
SPB-RF40-600	1302007	1371758	78644	8,3

Kabelbaner med andre vangehøyder er tilgjengelig på forespørsel.

Cable trays in alternative heights are available on request.

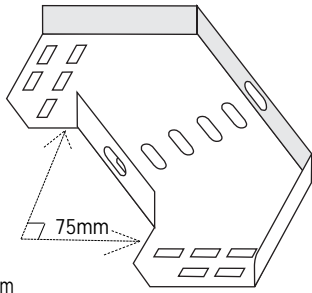


Bend / Flat Elbows:

Kryssforbindelse SPB-20 på foresp.
Cross-Piece SPB-20 on request

Monteres uten behov for skjøtelask.
Mounting without need for splice connector.

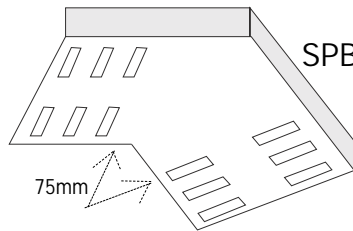
Type angir vangehøyde + banebredde.
Type states flange height + tray width.



SPBE-20 90° Bend / Flat Elbow

Monteringsmål = radius: 75 mm
Installation measurement = radius: 75 mm

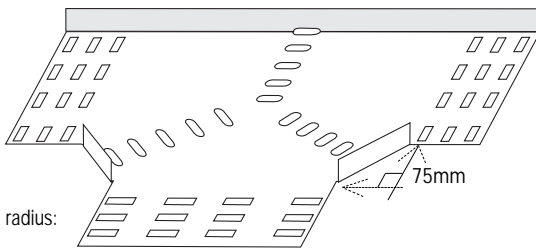
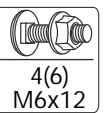
Type	HDG Art. no.	SS Art. no.	AL* Art. no.	Weight SS (kg)
SPBE-20-90-50	1302010	1302018	77399	0,4
SPBE-20-90-100	1302011	1302019	77400	0,6
SPBE-20-90-150	1302012	1302020	77401	0,8
SPBE-20-90-200	1302013	1302021	77402	1,1
SPBE-20-90-300	1302014	1302022	77372	2,6
SPBE-20-90-400	1302015	1302023	87551	2,8
SPBE-20-90-500	1302016	1302024	87552	6,2
SPBE-20-90-600	1302017	1302025	87553	6,9



SPBE-20 45° Bend / Flat Elbow

Monteringsmål = radius: 75 mm
Installation measurement = radius: 75 mm

SPBE-20-45-50	1302026	1302034	77403	0,2
SPBE-20-45-100	1302027	1302035	77404	0,3
SPBE-20-45-150	1302028	1302036	77405	0,5
SPBE-20-45-200	1302029	1302037	77406	0,7

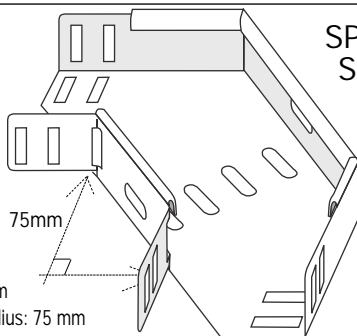
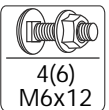


Monteringsmål = radius:
75 mm
Installation measurement = radius: 75 mm

SPBE-20

T-avgreining / Tee-Piece

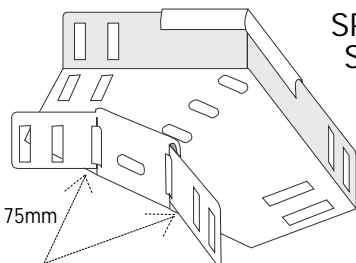
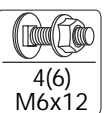
SPBE-20 TE-50	1302115	1302123		0,6
SPBE-20 TE-100	1302116	1302124		1,0
SPBE-20 TE-150	1302117	1302125		1,3
SPBE-20 TE-200	1302118	1302126		1,9
SPBE-20 TE-300	1302119	1302127		2,4
SPBE-20 TE-400	1302120	1302128		3,9
SPBE-20 TE-500	1302121	1302129		3,9
SPBE-20 TE-600	1302122	1302130		3,9



SPBE-40 SPB-RF 90° Bend / Flat Elbow

Monteringsmål = radius: 75 mm
Installation measurement = radius: 75 mm

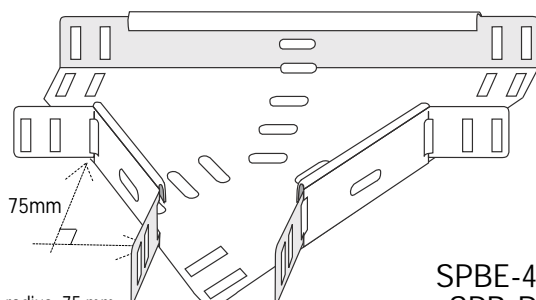
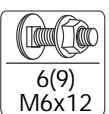
SPB-RF40-90-50	1302045	1371760	79038	0,4
SPB-RF40-90-100	1302046	1371761	78648	0,7
SPB-RF40-90-150	1302047	1371762	79039	1,0
SPB-RF40-90-200	1302048	1371763	79040	1,3
SPB-RF40-90-300	1302049	1371764	79041	2,1
SPB-RF40-90-400	1302050	1371765	79042	2,9
SPB-RF40-90-500	1302051	79036	79043	3,7
SPB-RF40-90-600	1302052	79037	79044	4,5



SPBE-40 SPB-RF 45° Bend / Flat Elbow

Monteringsmål = radius:
75 mm
Installation measurement = radius: 75 mm

SPB-RF40-45-50	1302055	1371766	79057	0,3
SPB-RF40-45-100	1302056	1371767	79058	0,4
SPB-RF40-45-150	1302057	1371768	79059	0,6
SPB-RF40-45-200	1302058	1371769	79060	0,8
SPB-RF40-45-300	1302059	1371770	79061	1,1
SPB-RF40-45-400	1302060	1371771	79062	1,4



SPBE-40 SPB-RF

Monteringsmål = radius: 75 mm
Installation measurement = radius: 75 mm

T-avgreining / Tee-Piece

SPB-RF40 TE-50	1302065	1371785	79073	0,6
SPB-R40 TE-100	1302066	1371786	78649	1,0
SPB-RF40 TE-150	1302067	1371787	79074	1,3
SPB-RF40 TE-200	1302068	1371788	79075	1,9
SPB-RF40 TE-300	1302069	1371789	79076	2,4
SPB-RF40 TE-400	1302070	1371790	79077	3,9
SPB-RF40 TE-500	1302071	1302073	79078	4,4
SPB-RF40 TE-600	1302072	1302074	79079	4,9

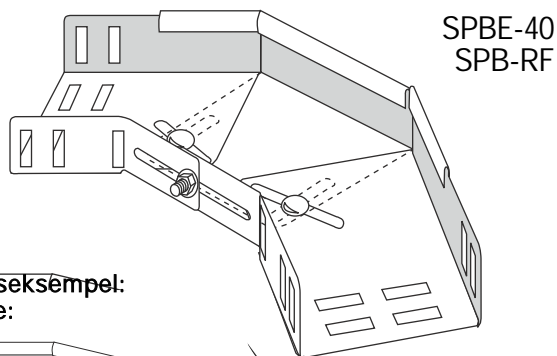
*) Skruer ikke inkludert / Screws not included (SNI)

BEND FLEXI = All degrees in one adjustable elbow!

Mønsterbeskyttet / Registered design

Bøyes til 30° - 45° - 90°
eller ønsket vinkel!

Bend to 30° - 45° - 90°
or desired angle!



SPBE-40
SPB-RF

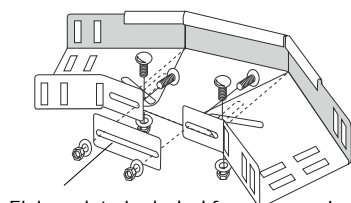
Elbow Flexi

Best. nr. angir type + banebredde.
Order no. state type + tray width.

Type	HDG Art. no.	SS Art. no.	AL* Art. no.	Weight SS (kg)
SPB-EF-50	1302075	1302079	79639	0,5
SPB-EF-100	1302076	1302080	79640	0,8
SPB-EF-150	1302077	1302081	79641	1,1
SPB-EF-200	1302078	1302082	79642	1,5

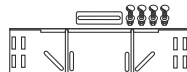
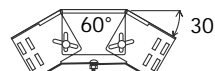
*) Skruer ikke inkludert / Screws not included (SNI)

Monteringseksempel: How to use:



Fixing plate included for
angles up to 45° (2 x 22,5°).

Leveres med skruer og festeplate.
Delivered with bolts and fixing plate.



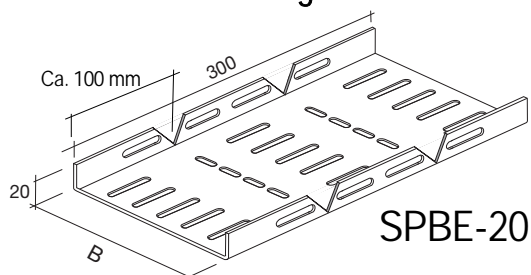
FLEXI-Bend tillater valg-
fri vinkeltilpasning ved
enkel håndbøying.

FLEXI Bend allow free
horizontal angle forming simply
by bending with your hands.

Monteres uten behov for skjøtelask.
Mounting without need for splice connector.

Bøyes til 30° - 45° - 90° eller ønsket vinkel!

Bend to 30° - 45° - 90° or desired angle!



SPBE-20

FLEXI-vertikalbend tillater valgfri vinkeltilpasning ved håndbøying.
En fleksibel del erstatter alle inn- og utvendige vertikalbend.

FLEXI RISER allows free vertical angle forming simply by
bending with your hands. **One flexible part replaces all in- and outside risers.**

Flexi-vertikalbend Flexi Riser

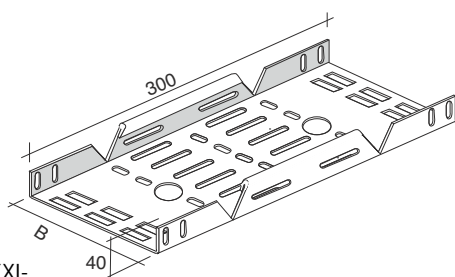
Best. nr. angir type + banebredde.
Order no. state type + tray width.

Type	HDG Art. no.	SS Art. no.	AL Art. no.	Weight SS (kg)
SPBE-20 FR-50	1302085	1302093		0,4
SPBE-20 FR-100	1302086	1302094		0,5
SPBE-20 FR-150	1302087	1302095		0,8
SPBE-20 FR-200	1302088	1302096		0,9
SPBE-20 FR-300	1302089	1302097		1,1
SPBE-20 FR-400	1302090	1302098		1,3
SPBE-20 FR-500	1302091	1302099		1,5
SPBE-20 FR-600	1302092	1302100		1,8

Monteres uten behov for skjøtelask.
Mounting without need for splice connector.

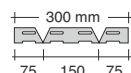
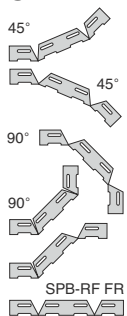
Faste vertikalbend på forespørsel.
Fixed risers on request.

SPB-RF FR med vinkleks.
SPB-RF FR with examples
of angles at right.



FLEXI-
vertikalbend
tillater valgfri vinkeltilpasning ved håndbøying.
FLEXI RISER allows free vertical angle forming
simply by bending with your hands.

SPBE-40
SPB-RF



FLEXI-VERTIKALBEND FLEXI RISER

Best. nr. angir type + lengde + banebredde.
Order no. state type + length + tray width.

Type	HDG Art. no.	SS Art. no.	AL Art. no.	Weight SS (kg)
SPB-RF FR-50	1302101	1371775	78455	0,4
SPB-RF FR-100	1302102	1371776	78456	0,5
SPB-RF FR-150	1302103	1371777	78457	0,8
SPB-RF FR-200	1302104	1371778	78458	0,9
SPB-RF FR-300	1302105	1371779	78459	1,1
SPB-RF FR-400	1302106	1371780	79288	1,6
SPB-RF FR-500	1302107	1371781	79289	1,9
SPB-RF FR-600	1302108	1371782	79290	2,2

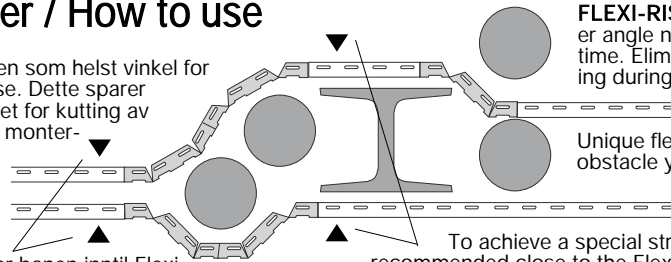
Monteres uten behov for skjøtelask.
Mounting without need for splice connector.

Flexi-vertikalbend / Flexi Riser

Monteringseksempler / How to use

FLEXI-RAISERE kan forme en hvilken som helst vinkel for å gå klar alle hindringer i en banetrase. Dette sparer monterings tid ved å eliminere behovet for kutting av baner og annen improvisering under monteringsarbeidene. En unik fleksibilitet forenkler montering forbi alle hindringer ved enkel bøyning.

For å oppnå en ekstra sterk konstruksjon anbefales festepunkt for banen inntil Flexi-Risere. Viktig ved bruk av risere i bredder over 200 mm.

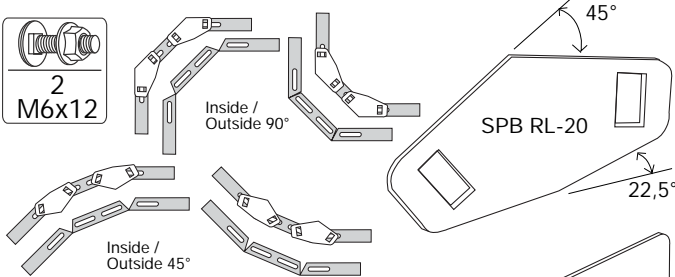


FLEXI-RISERS are developed to create whatever angle needed to pass obstacles. Saves fitting time. Eliminates cutting trays and other improvising during the installation work on the site.

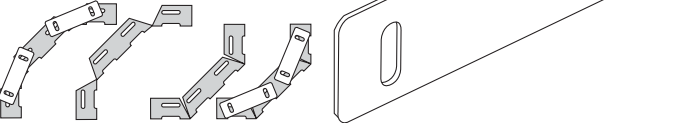
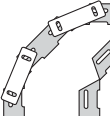
Unique flexibility simplifies installation whatever obstacle you encounter simply by bending.

To achieve a special strong construction fixing point for tray is recommended close to the Flexi-Riser. Important for risers in widths more than 200 mm.

Monteringseksempel på SPBE-20 FR (med og uten)
How to use on SPBE-20 FR (with and without)



Monteringseksempel på SPBE-40 FR (med og uten)
How to use on SPBE-40 FR (with and without)



Riser lås for Flexi-bend

Ved behov for ekstra avstiving og vinkelsikring.

Riser Lock for Flexi Riser

For fixing angle required and to stiffen up the Flexi riser.

Type	HDG Art. no.	SS Art. no.	AL* Art. no.	Weight SS (kg)
SPB RL-20	1302110	1302111		0,03
SPB RL-40	1302109	1371783	78197	0,04

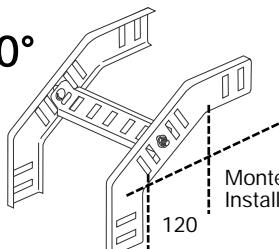
*) Skruer ikke inkludert / Screws not included (SNI)

SPB-KR 40 Combi-Riser

Best. nr. angir type + vangehøyde + banebredde.
Order no. state type + flange height + tray width.

Type	HDG Art. no.	SS Art. no.	Weight of tray (kg)
SPB CR-50	1302131	1302139	0,43
SPB CR-100	1302132	1302140	0,45
SPB CR-150	1302133	1302141	0,48
SPB CR-200	1302134	1302142	0,53
SPB CR-300	1302135	1302143	0,58
SPB CR-400	1302136	1302144	0,63
SPB CR-500	1302137	1302145	0,68
SPB CR-600	1302138	1302146	0,73

90°

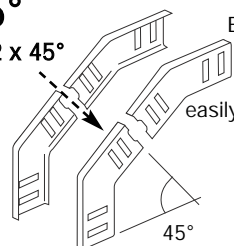


Monteringsmål
Installation gap

120

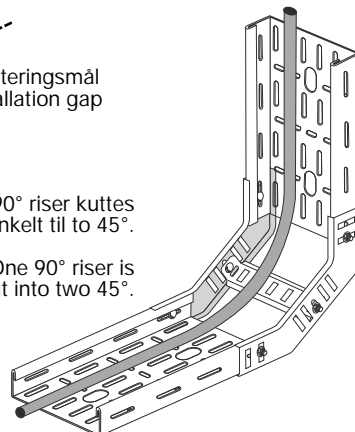
How to use:

45°
Cut = 2 x 45°

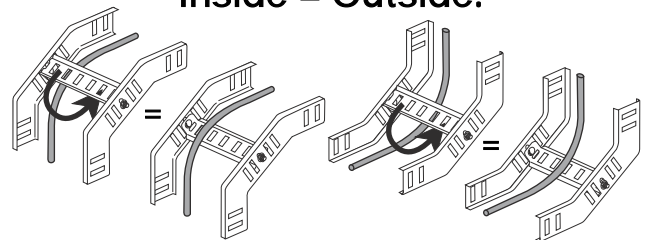


En 90° riser kuttes enkelt til to 45°.

One 90° riser is easily cut into two 45°.



Inside = Outside!



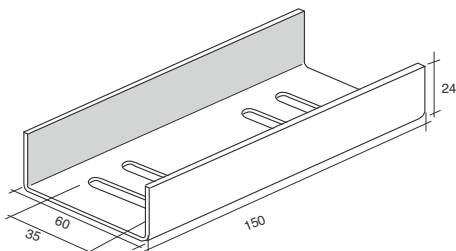
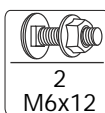
Så enkelt forandrer du innvendig til utvendig:

- Monter **først** inn riseren på vanlig måte!
- Løsne litt på de to sideboltene som holder trinnet.
- Vri trinnet motsatt og stram boltene fast.

So simple to change from inside to outside:

- **First** install the riser as usual!
- Lightly unscrew the two sidebolts holding the rung.
- Twist the rung and fix the bolts.

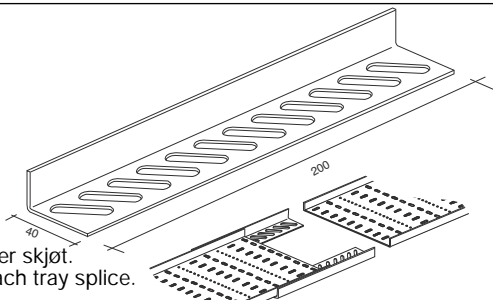
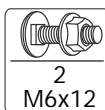
Skjøtevinkler og oppheng / Splice Connectors and Support



Skjøteplate alle 50-bredder Splice Connector all 50 widths

Type	HDG Art. no.	SS Art. no.	AL* Art. no.	Weight SS (kg)
SPB SC-50	1302166	1371812	77384	0,15

*) Skruer ikke inkludert / Screws not included (SNI)

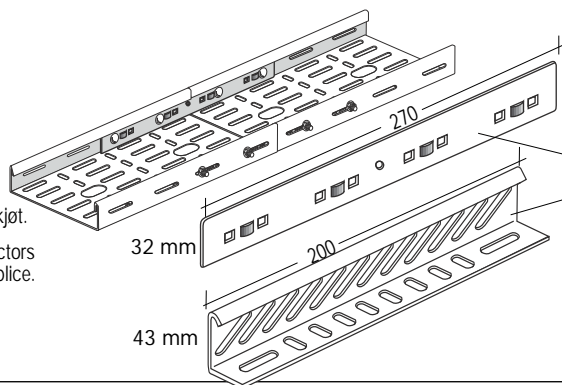


Skjøtevinkel for SPBE-20 Splice Connector to SPBE-20

Type	HDG Art. no.	SS Art. no.	AL* Art. no.	Weight SS (kg)
SPBE-20 SC	1371805	1371807	1372232	0,1

*) Skruer ikke inkludert / Screws not included (SNI)

2 skjøtebeslag for hver skjot.
2 splice fittings for each tray splice.

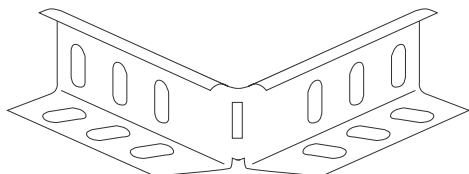
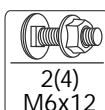


Skjøt for SPBE-40 + SPB-RF Splice Connector to SPBE-40 + SPB-RF

Type	HDG Art. no.	SS Art. no.	AL* Art. no.	Weight SS (kg)
SPB-40 SC-IN		1371808		0,14
SPB-40 SC-OU	1371806	77516	1372244	0,14

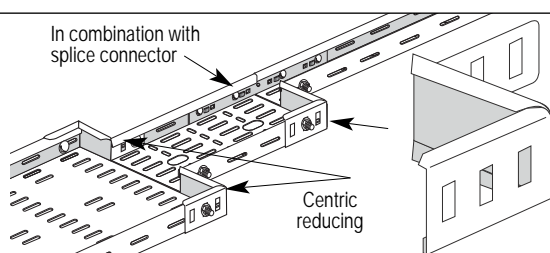
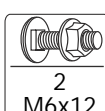
*) Skruer ikke inkludert / Screws not included (SNI)

2 skjøtevinkler for hver baneskjot.
2 splice connectors for each tray splice.



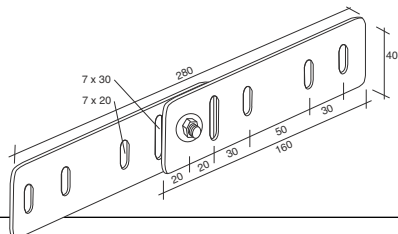
Vinkelbeslag for SPB-RF Hinge Horizontal to SPB-RF

Type	HDG Art. no.	SS Art. no.	AL Art. no.	Weight SS (kg)
SPB-RF40 HH	1371810	1371811		0,15



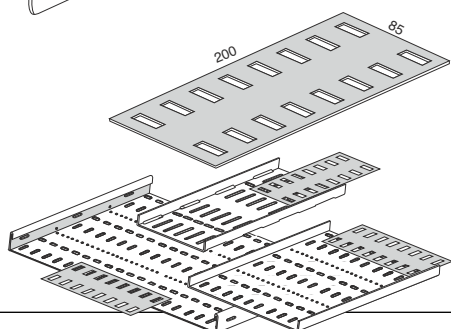
Z-Redusering for SPB-RF-40 Z-Reducer to SPB-RF-40

Type	HDG Art. no.	SS Art. no.	AL Art. no.	Weight SS (kg)
SPB RE-50	86130	86133		
SPB RE-100	86131	86134		
SPB RE-200	86132	86135		



Vertikalhengsle Hinge Vertical

Type	HDG Art. no.	SS Art. no.	AL Art. no.	Weight SS (kg)
SPB HV	1302169	1371814		0,20



Skjøteplate Splice Plate

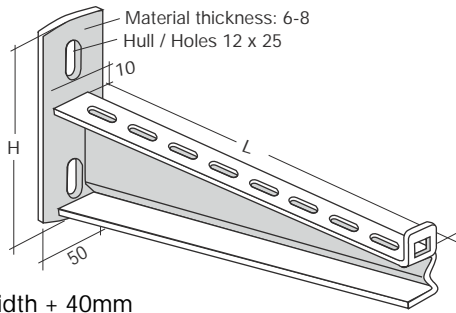
Type	HDG Art. no.	SS Art. no.	AL* Art. no.	Weight SS (kg)
SPB SC 85x200	1302167	1371813	79281	0,2

*) Skruer ikke inkludert / Screws not included (SNI)

Anbefales brukt sammen med skjøtevinkler ved bredder over 300 mm.
Use of splice connectors is recommended for widths above 300 mm.



Festes med / Fix with: 1 bolt max Ø 12mm



H = 94 (100-300)
H = 113 (400-600)

L = Type Bredde/Width + 40mm

Veggkonsoll for LOE-, RZ-stiger og SPB- baner.

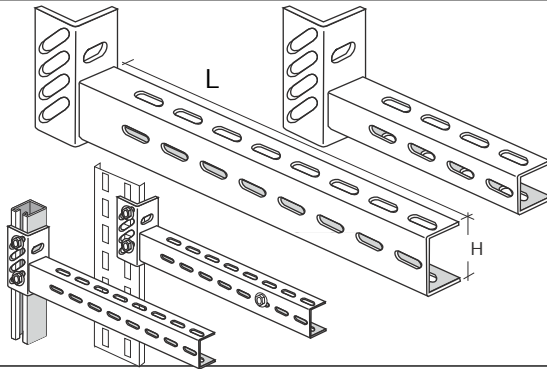
Type nr. angir stigebredde. Sikkerhetsfaktor 2.

Cantilever Arm for LOE, RZ ladders and SPB trays.

Type no. indicates ladder width. Safety factor 2.

Type L	HDG Art. no.	SS Art. no.	AL* Art. no.	Maks last Max. load (kg)	Weight SS (kg)
S-M CA-35-100	1372689	1302442	1372552	350 kg	0,4
S-M CA-35-200	1372690	1302443	1372584	250 kg	0,5
S-M CA-35-300	1372691	1302444	1372585	200 kg	0,6
S-M CA-35-400	1372692	1302445	1372586	175 kg	0,8
S-M CA-35-500	1372693	1302446	1372587	150 kg	0,9
S-M CA-35-600	1372694	1302447	1372588	125 kg	1,1

*) Skruer ikke inkludert / Screws not included (SNI)



How to use:
Fits both
Mekano
and UNO

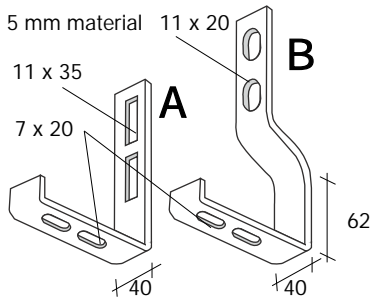
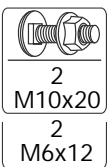
Skinnekonsoll for LOE, RZ-stiger og SPB-baner.

Type nr. angir stigebredde. Sikkerhetsfaktor 2.

Channel Bracket for LOE, RZ ladders and

SPB trays. Type no. indicates ladder width. Safety factor 2.

Type	H + L	HDG Art. no.	SS Art. no.	Maks last Max. load (kg)	Weight SS (kg)
S-M CB-30-100	38 + 129	1302437	1371791	180 kg	0,40
S-M CB-30-150	38 + 179	1302438	1371792	180 kg	0,45
S-M CB-30-200	38 + 229	1302439	1371793	200 kg	0,50
S-M CB-30-300	50 + 329	1302440	1371794	200 kg	0,60
S-M CB-30-400	50 + 429	1302441	1371799	200 kg	0,70

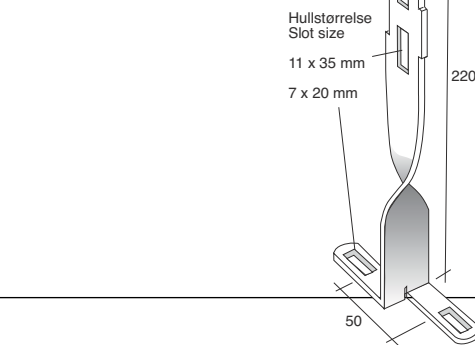
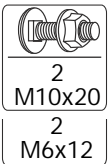


Opphengsbøyler for 100 mm bane

A: Cantilever Arm for 100 mm tray

B: Channel Bracket for 100 mm tray

Type	HDG Art. no.	SS Art. no.	AL Art. no.	Weight SS (kg)
S-SPB CA-100	1302320	1302323		0,4 kg
S-SPB CB-100	1302216	1302218		0,3 kg

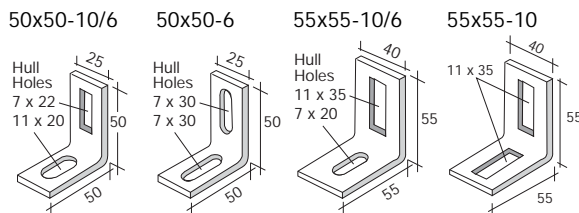
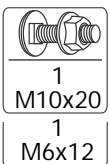


Opphengsbøyle Channel Bracket Twisted

Type	HDG Art. no.	SS Art. no.	AL Art. no.	Weight SS (kg)
S-SPB CB-TW	1302172	1371818		0,35

Gir en ryddig, profesjonell installasjon uten underliggende konsoller. Passer til skinne MK 48-3.

Gives a clean and professional installation with no descenders. Fits channel MK 48-3.

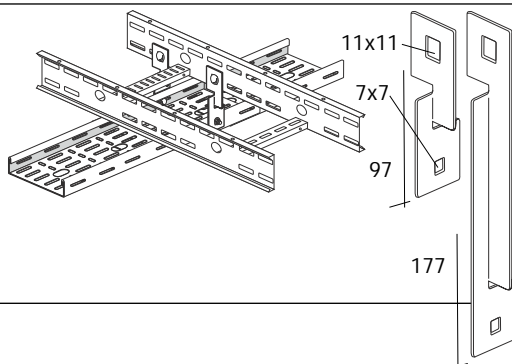


Festevinkler for komb. av 6 og 10mm skruer.

Angle Brackets to combine 6 og 10mm bolts.

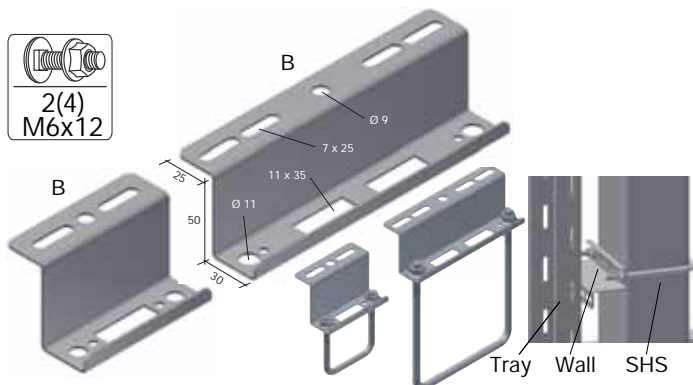
Type	HDG Art. no.	SS Art. no.	AL* Art. no.	Weight SS (kg)
S-M AB 50x50-10/6	1372761	1371817	1372943	0,1
S-M AB 50x50-6	83410	84386		0,1
S-M AB 55x55-10/6	1302170	1371816		0,2
S-M AB 55x55-10	1302494	1371712	76492	0,2

*) Skruer ikke inkludert / Screws not included (SNI)



Overgangsbrakett for bane under OE-stige Interface for tray to OE-ladder

Type	HDG Art. no.	SS Art. no.	AL Art. no.	Weight SS (kg)
A-OE/SPB-RF-IF-97	84176	85082		0,04
A-OE/SPB-RF-IF-177		60381		0,06



U-bolter – se vår katalog for Multidiscipline Support System s. 43.
U-bolts – see our catalogue for Multidiscipline Support System p. 43.

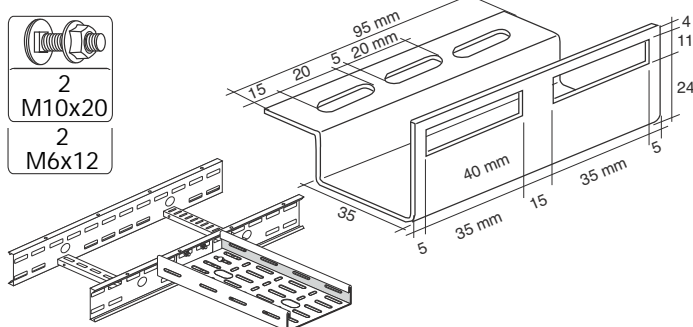
SPB veggbrakett SPB Wall Support Bracket

Type angir bredde B og type SHS den er tilpasset ved bruk av firkant U-bøyle.

Type states tray width B and type SHS it will fit using a square U-bolt. SHS: Square Hollow Section.

Type	Passer bredder Fits widths	HDG Art. no.	SS Art. no.	Weight incl. bolts SS (kg)
S-SPB SB-85-SHS-50	50/100	1302150	1371795	0,10
S-SPB SB-135-SHS-100	150/200	1302151	1371796	0,15
S-SPB SB-155-SHS-120	300/400	1302152*	1371797*	0,60
S-SPB SB-175-SHS-140	500/600	1302153*	1371798*	1,06

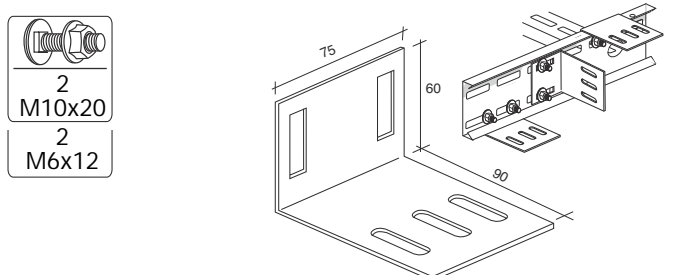
*) Består av to deler som kombineres.
Consist of two parts to be used in combination.



Overgangsbrakett Forenkler installasjon av baner som sekundær-traséer. Passer til OE-stiger og SPBE-baner for full utnyttelse av systemet.

Interface Horizontal Simplifies installation of trays used as secondary routes. Fits the OE-ladder and SPBE-tray for full advantages of the system.

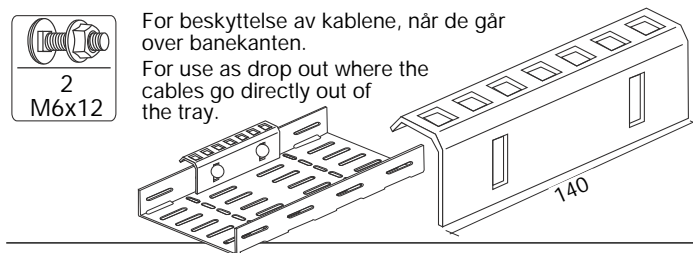
Type	HDG Art. no.	SS Art. no.	AL Art. no.	Weight SS (kg)
A-OE/SPB IF-HO	1302195	1302196		0,1



Overgangsbrakett
Overgang mellom bane og OE stige.

Interface Vertical
Transition from tray to OE ladder.

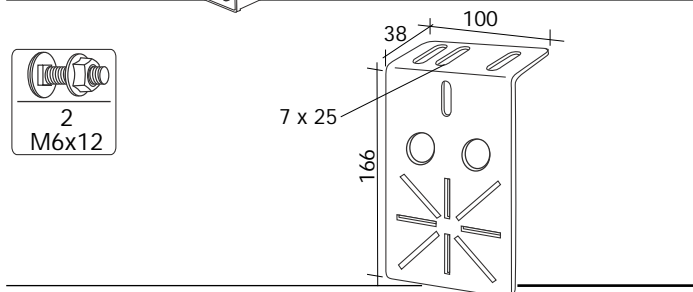
Type	HDG Art. no.	SS Art. no.	AL Art. no.	Weight SS (kg)
A-OE/SPB IF-VE	1302186	1371847		0,1



For beskyttelse av kablene, når de går over banekanten.
For use as drop out where the cables go directly out of the tray.

Avgangsbrakett for kabel Exit plate Drop out for cable

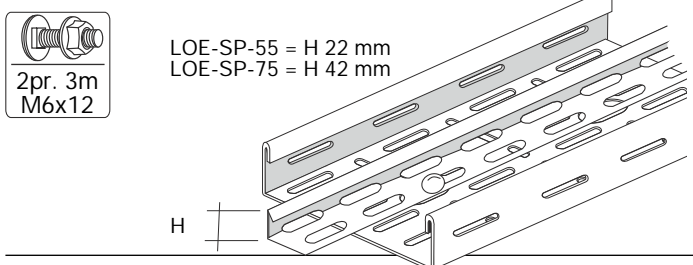
Type	HDG Art. no.	SS Art. no.	AL Art. no.	Weight SS (kg)
A-SPBE-20 EX	1302158	1302160		0,11
A-SPBE-40 EX	1302159	1302161		0,15



Festeplate for koblingsboks Socket Bracket for junction box

Type	HDG Art. no.	SS Art. no.	AL* Art. no.	Weight SS (kg)
A-SPB SO	1372055	1302156	1372968	0,25

*) Skruer ikke inkludert / Screws not included (SNI)



LOE-SP-55 = H 22 mm
LOE-SP-75 = H 42 mm

Skilleplate / Divider

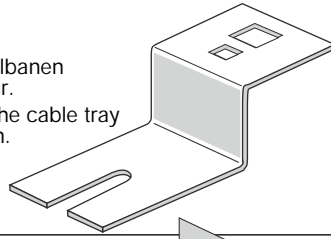
Type	PG Art. no.	HDG Art. no.	SS Art. no.	AL* Art. no.
SPB/LOE DI-22	1371571	1371572	1372380	1372966
SPB/LOE DI-42		1372783	1371706	

*) Skruer ikke inkludert / Screws not included (SNI)

Leveres i 3m lengde / Supplied in 3m length.
Produktet kan avvike noe fra illustrasjon.
The design may differ according to illustration.

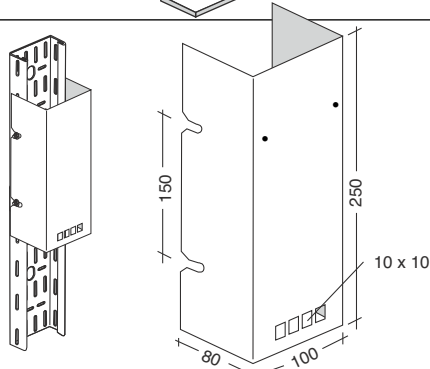


Monteres under kabelbanen for feste av lysarmatur.
For mounting under the cable tray for lighting installation.



Armaturfeste Light Bracket

Type	HDG Art. no.	SS Art. no.	AL Art. no.	Weight SS (kg)
A-SPB LB-Z	1372818	1371857		0,75



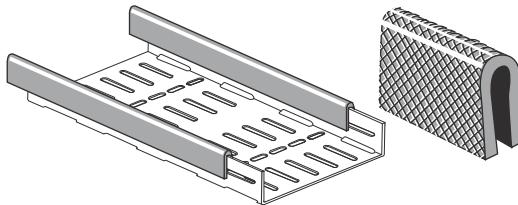
Utstysbrakett for kabelbane med bredde 100 mm. Klargjort med hull for Tagplate og strekkavlastning. Utstyr monteres med selvboerende skruer.

Socket Plate for cable tray With width 100 mm. With perforations for Tag plate and stretch preventing. Instruments to be fixed using self tapping screws.

Type	HDG Art. no.:	SS Art. no.:	Weight SS (kg)
A-SPB SO-100	1302688	1302689	0,8

På forespørsel produserer vi din egen utstysbrakett med nøyaktige festehull tilpasset dine deler.

Ask for your own equipment bracket with the exact combination of fixing holes to fit your items.



Kantbeskyttelse "Volvolist" Edge Protector

Type	Art. no.	spool (m)
A-SPB EP	1302165	50
A-SPB EP-SS*	1302164	100

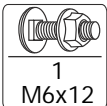
*) SS-reinforced for use on SS-tray



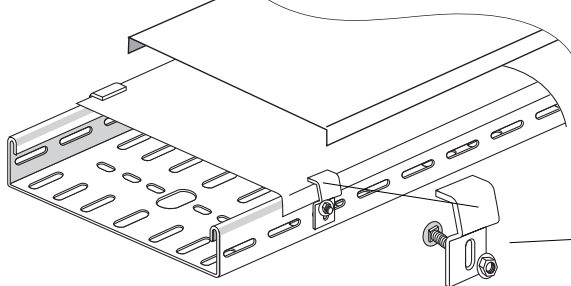
Beskyttelsesforing Cable Protector

For kabelføring gjennom hull i bane. Selvslukkende material. Produced in flame retardant material.

Type:	A-SPB EP-O	Art. no.:	1371855
-------	------------	-----------	---------

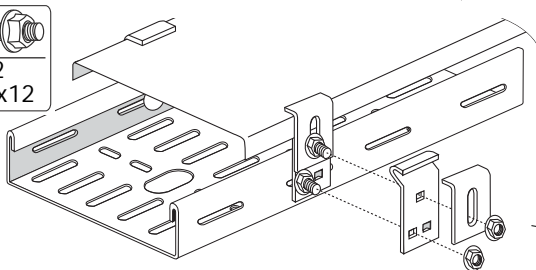
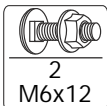


Deksel for 45°/90° bend, T-avgr. og kryss kan leveres.
Cover for 45°/90° bend, T-pieces and cross on request.



Deksel / Cover L: 3m.

Type	HDG Art. no.	SS Art. no.	AL Art. no.	Weight SS (kg)
SPB CO-50	1302600	1302603		0,9
SPB CO-100	1302601	1302604		1,5
SPB CO-150	1302602	1302605		2,1
SPB CO-200	1371563	1302606		2,7
SPB CO-300	1371564	1302607		3,9
SPB CO-400	1371565	1302608		5,1
SPB CO-500	1371567	82231		6,3
SPB CO-600	1371568	1302610		7,5



Dekselkrok Cover Clip

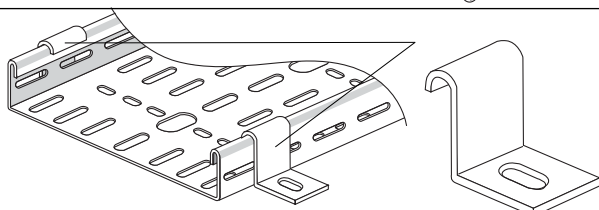
Bruk 4 stk. pr. 3m deksel.
Use 4 pieces pr. 3m cover.

Type	HDG Art. no.	SS Art. no.	AL Art. no.	Weight SS (kg)
SPB-RF/LOE-55 CC	1372672	1372670		0,03
SPBE CC*	1372669	1302611		0,03

Dekselløfteklør / Raised Cover clip

For ventilert deksel / For ventilated cover

Type	HDG Art. no.	SS Art. no.	SS Weight
SPB-RF/LOE-55 CC-V		70001	0,5



Festevinkel for SPB-RF 40 Fixing Clip for SPB-RF 40

Type	HDG Art. no.	SS Art. no.	AL Art. no.	Weight SS (kg)
SPB FC-40x40-M10	SP2957A	89577		0,04

Bend Deksel / Flat elbows Cover:

Deksel SPB-20 på foresp.
Cover SPB-20 on request.

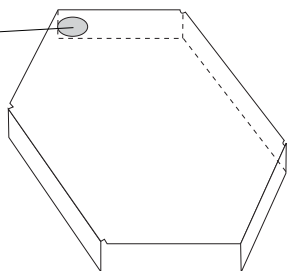
Monteres med deksselfeste, se s. 13.

Mounting with Coverhook, page 13.

Best. nr. angir type + vangehøyde + banebredde.

Order no. state type + flenge height + tray width.

Ø 10mm
only HDG

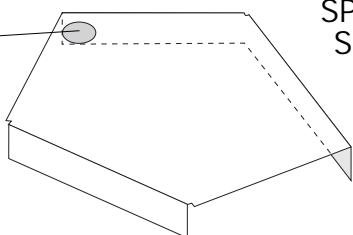


SPBE-40
SPB-RF

90° Deksel / Cover

Type	HDG Art. no.	SS Art. no.	AL Art. no.	Weight SS (kg)
SPB-90-50 CO	79179	79185	81777	0,7
SPB-90-100 CO	79180	79186	81778	0,9
SPB-90-150 CO	79181	79187	81779	1,2
SPB-90-200 CO	79182	79188	81780	1,4
SPB-90-300 CO	79183	79189	81781	1,8
SPB-90-400 CO	79184	79190	81782	2,7

Ø 10mm
only HDG

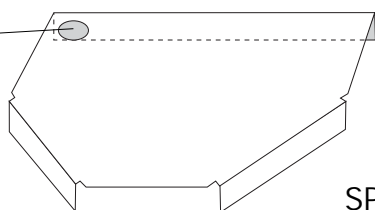


SPBE-40
SPB-RF

45° Deksel / Cover

Type	HDG Art. no.	SS Art. no.	AL Art. no.	Weight SS (kg)
SPB-45-50 CO	79203	79209		0,5
SPB-45-100 CO	79204	79210		0,6
SPB-45-150 CO	79205	79211		0,7
SPB-45-200 CO	79206	79212		0,9
SPB-45-300 CO	79207	79213		1,1
SPB-45-400 CO	79208	79214		1,3

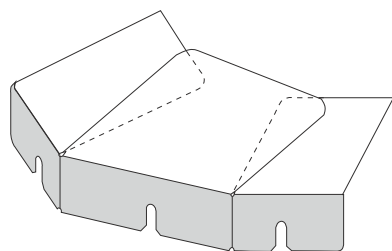
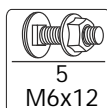
Ø 10mm
only HDG



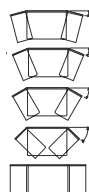
SPBE-40
SPB-RF

T-Deksel / Tee Cover

Type	HDG Art. no.	SS Art. no.	AL Art. no.	Weight SS (kg)
SPB TE-CO-50	79191	79197		0,3
SPB TE-CO-100	79192	79198		0,5
SPB TE-CO-150	79193	79199		0,7
SPB TE-CO-200	79194	79200		1,1
SPB TE-CO-300	79195	79201		1,9
SPB TE-CO-400	79196	79202		2,1



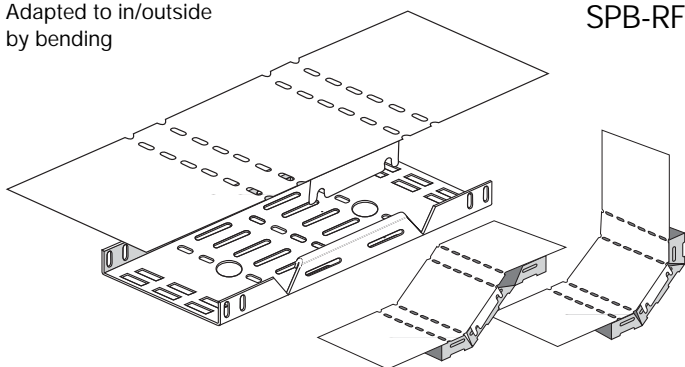
SPBE-40
SPB-RF



Deksel / Cover Elbow Flexi

Type (+width)	HDG Art. no.	SS Art. no.	AL Art. no.	Weight SS (kg)
SPB EF-CO-50	82645	82649		0,3
SPB EF-CO-100	81656	81657		0,5
SPB EF-CO-150	82646	82650		0,6
SPB EF-CO-200	82647	82651		0,8

Tilpasses inn/utvendig ved bøying
Adapted to in/outside
by bending



SPBE-40
SPB-RF

Deksel Flexi-vertikalbend Cover Flexi Riser

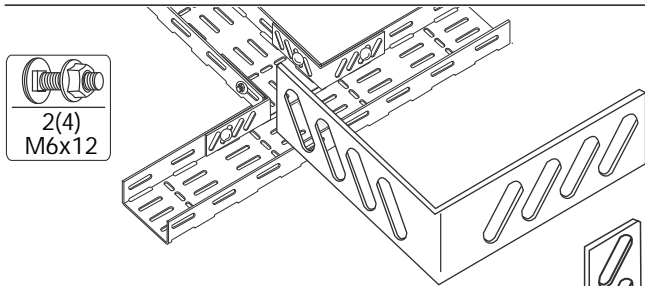
Type (+width)	HDG Art. no.	SS Art. no.	AL Art. no.	Weight SS (kg)
SPB FR-CO-50	82653	81887		0,3
SPB FR-CO-100	82654	81888		0,5
SPB FR-CO-150	82655	81889		0,7
SPB FR-CO-200	82656	81890		1,0
SPB FR-CO-300	82657	82659		1,4
SPB FR-CO-400	82658	82660		1,9
SPB FR-CO-500	82661	82663		2,3
SPB FR-CO-600	82662	82664		2,7

NBI Alle kabel baner og stiger er tilpasset tubing.

Til store tubing installasjoner offshore, anbefales OE stigen.

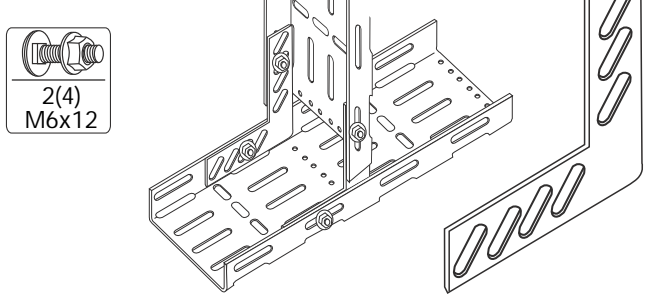
NBI All cable trays and ladders are suitable for tubing. For comprehensive tubing installations offshore, we recommend the OE ladder.

Instrumenteringsutstyr Equipment for Tubing



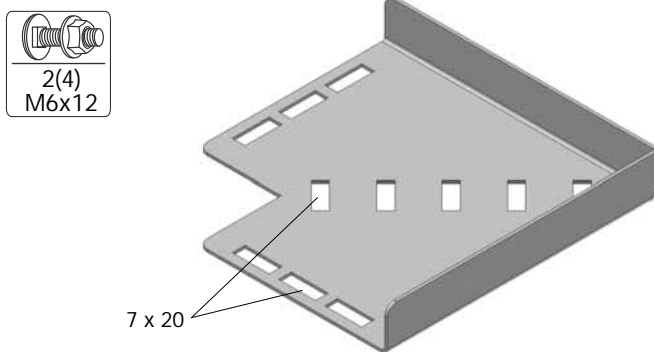
Tubing vinkel for SPBE-40 Tubing Angle for SPBE-40

Type	HDG Art. no.	SS Art. no.	AL Art. no.	Weight SS (kg)
SPBE40 AS-HO	1302168	1371815		0,13



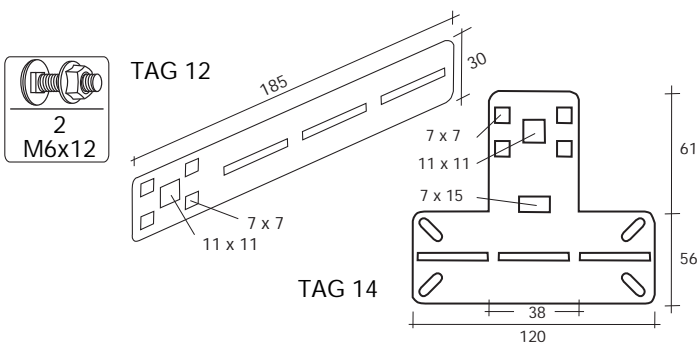
Vertikal tubing vinkel for SPBE-40 Vertical Tubing Angle for SPBE-40

Type	HDG Art. no.	SS Art. no.	AL Art. no.	Weight SS (kg)
SPBE40 AS-VE	1302185	1371845		0,1



90° Bend for rørinstallasjon 90° Bend for Tubinginstallation

Type	HDG Art. no.	SS Art. no.	AL Art. no.	Weight SS (kg)
SPBE20 BE-TI-50	1302175	1371835		0,12
SPBE20 BE-TI-100	1302176	1371836		0,28
SPBE20 BE-TI-150	1302177	1371837		0,52
SPBE20 BE-TI-200	1302178	1371838		0,82
SPBE40 BE-TI-50	1302180	1371840		0,18
SPBE40 BE-TI-100	1302181	1371841		0,36
SPBE40 BE-TI-150	1302182	1371842		0,61
SPBE40 BE-TI-200	1302183	1371843		0,89



Tag plate

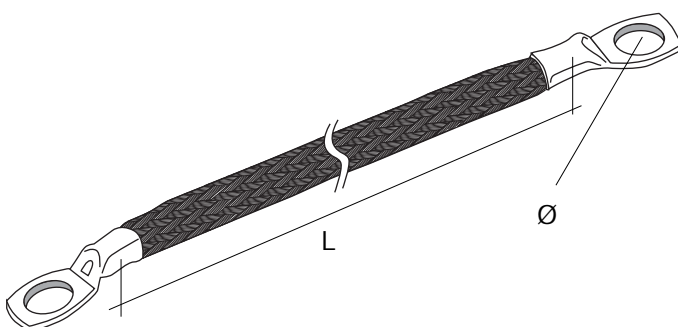
Standard plate til TAG-Nr. for baner og stiger. 1,5 mm.

Standard support plate for TAG-No. on trays and ladders. 1,5 mm.

Type	HDG Art. no.	SS Art. no.	Weight SS (kg)
TAG 12	1302162	1302163	0,1
TAG 14		1302588	0,1

Be om eget tagplateark som viser varianter.

Ask for spesial tag plate sheet showing the different types.



Jordingslask

Earth Link "Jumpers"

Type angir lengde, Ø og kvadrat

Type states length, Ø and square

Type	Art. no.	L Length mm	Ø Screw	Dim. mm ²
A-M EL-100/6-4	85813	100	6	4
A-M EL-100/6-6	85814	100	6	6
A-M EL-100/10-10	85815	100	10	10
A-M EL-300/10-10	85816	300	10	10
A-M EL-100/10-16	85817	100	10	16
A-M EL-300/10-16	85818	300	10	16

Andre dimensjoner på forespørsel.

Other dimensions on request.

Stjerneskriver / Star Washers side / page 22.



Range of ETIN® tubing clamps

For 6-12mm / 1/4"-1/2" pipes

Metric tube (colour blue)

FOR TUBE DIM. 10 mm	Pack	Type mm	Art. no.
ETIN TUBE CLAMP	50	ETIN BU-ME-10	1371829

Metric tube (colour white)

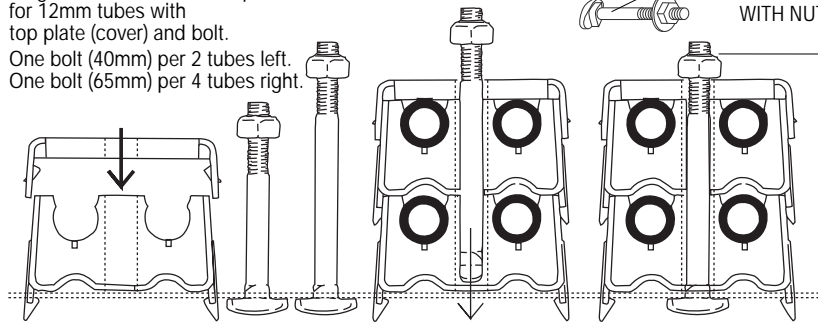
FOR MAX. TUBE DIM. 12mm	Pack	Type mm	Art. no.
ETIN TUBE CLAMP	50	ETIN BU-ME-12	1371825
ADAPTER 12/10mm	50	ETIN AD-10	1371826
ADAPTER 12/8mm	50	ETIN AD-8	1371827
ADAPTER 12/6mm	50	ETIN AD-6	1371828

Imperial tube (colour grey)

FOR MAX. TUBE DIM. 1/2"	Type inch	Art. no.
ETIN TUBE CLAMP	50	ETIN BU-IN-1/2
ADAPTER 1/2-3/8"	50	ETIN AD-3/8
ADAPTER 1/2-5/16"	50	ETIN AD-5/16
ADAPTER 1/2-1/4"	50	ETIN AD-1/4

ETIN TOP PLATE		Pack	Type	Art. no.
ETIN BOLTS IN SS				
COMPL.	M6 x 40 (1 level)	100	ETIN LS-M6x40	1371831
WITH NUTS	M6 x 65 (2 levels)	100	ETIN LS-M6x65	1371832
	M6 x 90 (3 levels)	50	ETIN LS-M6x90	1371833

Single, standard ETIN clamp for 12mm tubes with top plate (cover) and bolt.
One bolt (40mm) per 2 tubes left.
One bolt (65mm) per 4 tubes right.



Adapters for tubes with smaller diameters can be clipped into the jaw.

Range of ETIN® tubing clamps

For 14-25mm / 5/8"-1" pipes

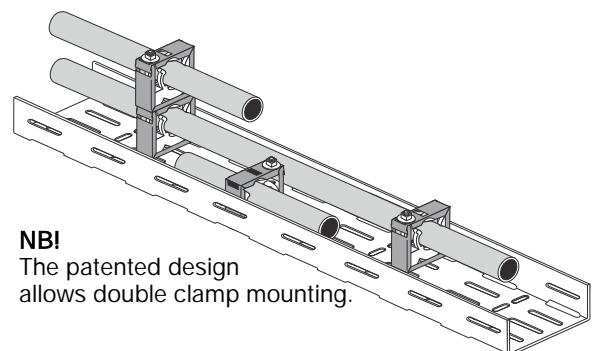
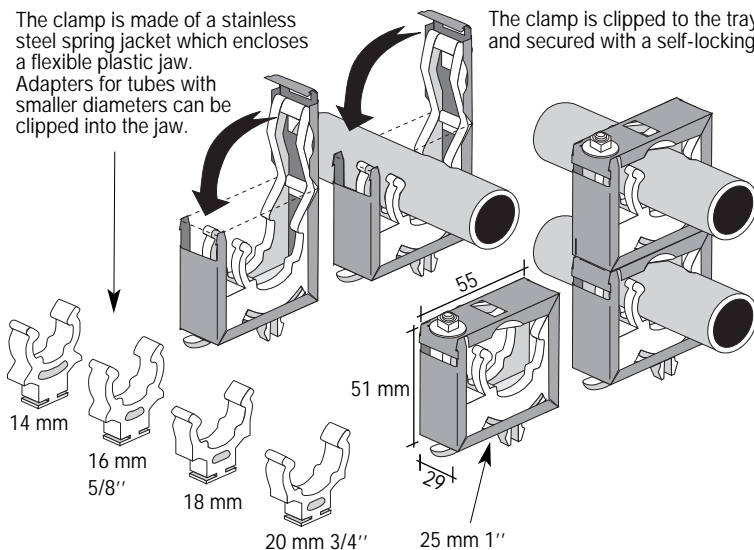
Metric / Imperial tube

FOR MAX. TUBE DIM. 25mm/1"	Type	Art. no.
ETIN TUBE CLAMP	30	ETIN BU-ME-25
ADAPTER 14mm	30	ETIN AD-14
ADAPTER 16mm / 5/8"	30	ETIN AD-16
ADAPTER 18mm / 3/4"	30	ETIN AD-18
ADAPTER 20mm	30	ETIN AD-20

ETIN BOLTS IN SS		Pack	Type	Art. no.
COMPL.	M6 x 61 (1 level)	30	ETIN LS-M6x61	1302639
WITH NUTS	M6 x 110 (2 levels)	30	ETIN LS-M6x110	1302640

The clamp is made of a stainless steel spring jacket which encloses a flexible plastic jaw. Adapters for tubes with smaller diameters can be clipped into the jaw.

The clamp is clipped to the tray then closed and secured with a self-locking bolt.



NB!
The patented design allows double clamp mounting.

**THE ONLY TOOL YOU NEED
IS A 10 MM SPANNER**

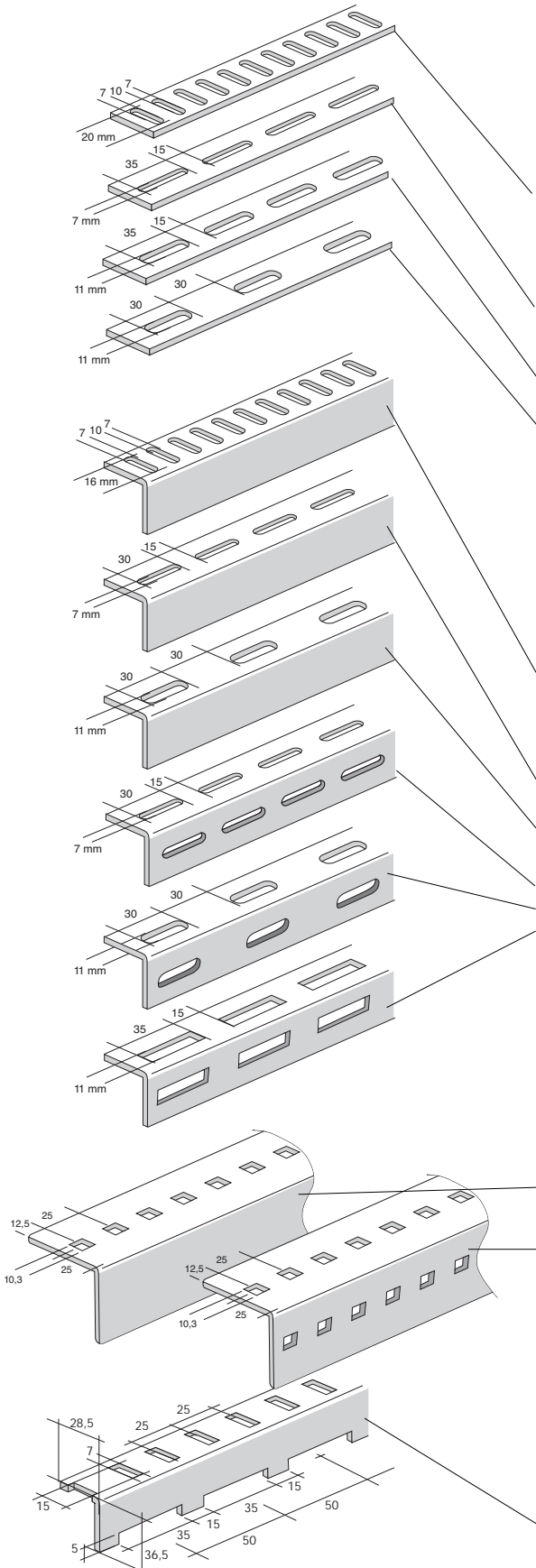
PR = Primet / Primed
 HDG = Varmgalv./ Hot Dip Galvanized
 SS = Rustfritt stål / Stainless Steel EN 1.4404
 ALU = Aluminium

Perforerte profiler

Benyttes til diverse oppheng og feste for baner, stiger og annen utrustning. Videre til skapskinner, tavlebygging ol.
 Leveres i 3m lengder.

Perforated Profiles

For various support of trays, ladders and electrical installations.
 Available in 3m lengths.



Flattstål / Flat Iron

Perforert på tvers / Crosswise perforated

Type	PR Art. no.	HDG Art. no.	SS Art. no.	ALU Art. no.	Weight HDG (kg)
FI-CW-7x20-30x5x3000	1372104	1372130			2,6
FI-CW-7x20-40x5x3000	1372105	1372131			3,8
FI-CW-7x20-50x4x3000	1372101	1372103			4,0

Perforert på langs / Lengthwise perforated

Type	PR Art. no.	HDG Art. no.	SS Art. no.	ALU Art. no.	Weight SS (kg)
FI-LW-7x35-25x5x3000	1372107	1372111	1371930		2,4
FI-LW-7x35-30x5x3000	1372108	1372112	1371931	78173	3,0
FI-LW-7x35-40x5x3000	1372109	1372113	1371932	78229	4,2
FI-LW-7x35-50x5x3000	1372110	1372114	1371933		5,5
FI-LW-11x35-40x5x3000	81477	81484	86858		3,9
FI-LW-11x30-50x5x3000		81485	1371935		5,4
FI-LW-11x30-40x6x3000			1371984		5,0
FI-LW-11x30-40x8x3000	1372100	1372102			6,6

Vinkelstål / Angle Iron

Perforert på tvers / Crosswise perforated

Type	PR Art. no.	HDG Art. no.	SS Art. no.	ALU Art. no.	Weight HDG (kg)
AI-CW-7x16-30x30x3x3000	1372132	1372134	1371942	78228	3,9
AI-CW-7x16-40x40x4x3000	1372133	1372140	1371943		6,9

Perforert på langs / Lengthwise perforated

Type	PR Art. no.	HDG Art. no.	SS Art. no.	ALU Art. no.	Weight HDG (kg)
AI-LW-7x30-30x30x3x3000	1372115	1372117	1371939		3,9
AI-LW-7x30-40x40x4x3000	1372116	1372118	1371940		6,9
AI-LW-7x30-50x50x3x2000				78045	1,5*
AI-LW-11x30-50x50x5x3000	1372119	1372120	1371941		10,7

Perforert dobbelt på langs / Double lengthwise perforated

Type	PR Art. no.	HDG Art. no.	SS Art. no.	ALU Art. no.	Weight HDG (kg)
AI-LW-7x30-40x40x4x3000			1371945		6,6
AI-LW-11x30-50x50x5x3000		78662	1371946		10,1
AI-LW-11x35-49x49x4x1500		82341	82342		3,6

Eksakte lengder opp til 1,5m leveres på forespørsel. *) Weight in ALU
 Predefined lengths up to 1,5m are supplied on request.

MultiGrid L60x6 perforated system

Leveres i lengder på 3m / Available in 3m lengths.

Type	HDG Art. no.	SS Art. no.	Duplex* Art. no.	Weight SS (kg/m)
Single perforated				
S-M CH60-2-B-3000	1371431	1371429	1371433	5,3
Double perforated				
S-M CH60-2-A-3000	1371432	1371430	1371434	5,3

*) Materialcode for Duplex: SAF2304

Sveiseprofil for tubingklammer

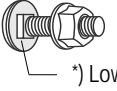
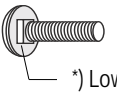
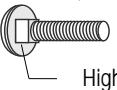


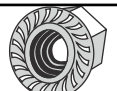
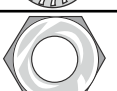

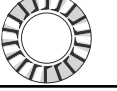
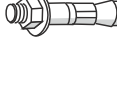


For rask og enkel tubing installasjon med ETIN tubingklammer.
 Leveres i lengder på 3m.

Welding Channel for tubing clamps

For quick and easy tubing installation with ETIN tubing clamp.
 Available in 3m lengths.

Type	PG Art. no.	HDG Art. no.	SS Art. no.	ALU Art. no.	Weight SS (kg/m)
RZ- WB	78463		78497		1

SKRUER / SCREWS TYPE

				STD. packs PG+HDG/SS	PG. Art. no.	HDG Art. no.	SS Art. no.
 LÅSESKRUER LOCKING BOLT SETS m/linsehode og flensmutter With pan head and flange nuts Self-Lock only in SS	M 6 x 12 *		S-M LS-NU-M6x12	200	1372750		1371981
	M 6 x 16 *		S-M LS-NU-M6x16	200			84487
	M 6 x 20 *		S-M LS-NU-M6x20	100			1371982
	M 6 x 30		S-M LS-NU-M6x30	100	1372749		1371361
	M10 x 20 *		S-M LS-NU-M10x20	100			1371983
	M10 x 25 *		S-M LS-NU-M10x25	100		1371980	
	M10 x 50		S-M LS-NU-M10x50	50		1371589	1371362
 LÅSESKRUER LOCKING BOLTS *) Low  High	M 6 x 12 *	DIN 603	S-M LS-M6x12	200	1372167		1372161
	M 6 x 16 *	DIN 603	S-M LS-M6x16	200			84493
	M 6 x 25	DIN 603	S-M LS-M6x25	200 / 100	1372169		1372162
	M 6 x 50	DIN 603	S-M LS-M6x50	200 / 100	1371360		85520
	M10 x 20 *	DIN 603	S-M LS-M10x20	200 / 100			1372163
	M10 x 25 *	DIN 603	S-M LS-M10x25	100 / 50		1372765	84352
	M10 x 30	DIN 603	S-M LS-M10x30	100 / 50		86008	89821
	M10 x 35	DIN 603	S-M LS-M10x35	100			82709
	M10 x 50	DIN 603	S-M LS-M10x50	50			89822
	M10 x 70	DIN 603	S-M LS-M10x70	50			81396
 SEKSKANTSKRUER HEXAGONAL BOLTS Lengre utgaver leveres i DIN 931 delgjenget. Longer lengths in DIN 931 partly threaded.	M 6 x 12	DIN 933	S-M HE-M6x12	200			1372780
	M 6 x 16	DIN 933	S-M HE-M6x16	200	1372171		1371318
	M 6 x 20	DIN 933	S-M HE-M6x20	200	1372172		1371319
	M 6 x 30	DIN 933	S-M HE-M6x30	200			1371320
	M 8 x 20	DIN 933	S-M HE-M8x20	200		1371301	1371321
	M 8 x 25	DIN 933	S-M HE-M8x25	200		1371302	1371322
	M 8 x 30	DIN 933	S-M HE-M8x30	200		1371303	1371323
	M10 x 16	DIN 933	S-M HE-M10x16	100	1372178		1371324
	M10 x 20	DIN 933	S-M HE-M10x20	200 / 100		1371304	1371325
	M10 x 25	DIN 933	S-M HE-M10x25	200 / 100		1371305	1371326
	M10 x 30	DIN 933	S-M HE-M10x30	200 / 100		1371306	1371327
	M10 x 35	DIN 933	S-M HE-M10x35	100		1371307	1371328
	M10 x 45	DIN 933	S-M HE-M10x45	100		1371308	1371329
	M10 x 50	DIN 933	S-M HE-M10x50	100		1371309	1371330
	M10 x 55	DIN 933	S-M HE-M10x55	100 / 50		1371310	1371331
	M12 x 25	DIN 933	S-M HE-M12x25	100		1371311	1371332
	M12 x 35	DIN 933	S-M HE-M12x35	100		1371312	1371333
	M12 x 45	DIN 933	S-M HE-M12x45	100 / 50		1371313	1371334
	M10 x 40	DIN 933	S-M HE-M10x40	100		1371314	1371335
	 LINSESKRUER PAN HEAD SCREWS With Torx T30 BITS for torx T30 conical	M 6 x 16	DIN 7985	S-M PS-M6x16	200	1372164	
M 6 x 20		DIN 7985	S-M PS-M6x20	200	1372842		1372157
M 6 x 25		DIN 7985	S-M PS-M6x25	200	84954		1372158
M 6 x 30		DIN 7985	S-M PS-M6x30	200	1372166		1372159
M 6 x 40		DIN 7985	S-M PS-M6x40	100	1372168		1372160
			Bits conical	Torx T30		1371417	
 FLENSMUTTERE FLANGE NUTS Self-Lock only in SS	6 mm	DIN 6923	S-M NU-FL-M6	200	1372843		1371971
	8 mm	DIN 6923	S-M NU-FL-M8	200	1372831		1371972
	10 mm	DIN 6923	S-M NU-FL-M10	200	1372832	1372180	1371973
	12 mm	DIN 6923	S-M NU-FL-M12	200			1371343
 SEKSKANTMUTTERE HEXAGONAL NUTS	M 6 x 10	DIN 934	S-M NU-M6	100	1372844		1372781
	M 8 x 13	DIN 934	S-M NU-M8	100		1372176	1371340
	M10 x 17	DIN 934	S-M NU-M10	100 / 50		1372845	1371341
	M12 x 19	DIN 934	S-M NU-M12	100 / 50		1372179	1371342
 SKIVER WASHERS Type codes: OD Ø t= © 10.5 x 20 x 2	© 5x30.5x1.5		S-M WA-5x30.5x1.5	200			84394
	© 6x12x1.6	DIN 125	S-M WA-6.4x12x1.6	200			1372782
	© 6x18x1.6	DIN 125	S-M WA-6.4x18x1.6	200	1372175		1371349
	© 6x25x1.5		S-M WA-6x25x1.5	200	1372848		1371350
	© 8x16x1.6	DIN 125	S-M WA-8.4x16x1.6	100	1372849	1371345	1371351
	© 8x40.3x1.5		S-M WA-8x40.3x1.5	200			84345
	© 10.5x20x2	DIN 125	S-M WA-10.5x20x2	100		1372850	1371352
	© 12x24x2.5	DIN 125	S-M WA-13x24x2.5	100		1371346	1371353
	● 7x30.4x1.5		S-M WA-7x30.4x1.5	200			84562
	● 11x32x1		S-M WA-11x32x1	200			1371354
	■ 7x35x2		S-M WA-7x35x2	200	1371594		
	□ 10x(29x33)x3		S-M WA-10x(29x33)x3	200	84110		
 STJERNESKIVER STAR WASHERS	M 6	DIN 6798	S-M SW-M6	200	1372852		1371355
	M 8	DIN 6798	S-M SW-M8	100			1371356
	M10	DIN 6798	S-M SW-M10	100	1372854		1371357
	M12	DIN 6798	S-M SW-M12	100	1371359		1371358
 EKSPANSJONSBOLTER CONCRETE ANCHOR BOLTS Kvaliteter: V.G. = 5.8 Qualities: S.S. = A4-70 P.G. = 5.8	M 6 x 40		S-M AC-6x40	100	1372767		
	M 6 x 52		S-M AC-6x52	100			1371368
	M 8 x 50		S-M AC-8x50	100	1372768		1371369
	M 8 x 60		S-M AC-8x60	100		1371364	
	M10 x 60		S-M AC-10x60	50	1372769	1371365	1371370
	M10 x 92		S-M AC-10x92	50		1371366	1371371
	M12 x 110		S-M AC-12x110	25			89823
 SELVBORENDE SKRUER I 100-pakn. / SELF-TAPPING SCREWS in packs of 100	Inntil/Up to 1 mm stålplate/steelplate		4,2 x 13mm 32-PH	100	1349417		
	Inntil/Up to 3 mm stålplate/steelplate		4,2 x 14mm 34-PH	100	1372820		
	Inntil/Up to 3 mm stålplate/steelplate		4,2 x 25mm 36-PH	100	1372821		
 SELVBORENDE RUSTFRIE SKRUER / SELF-TAPPING STAINLESS STEEL SCREWS For opp til 2.5mm tykkelse For up to 2.5mm thickness Bits for Marutex	4.8 x 13 mm	MARUTEX M4.8x13	SS in A2 quality	100			1371373
	4.8 x 25 mm	Marutex M4.8x25	SS in A2 quality	100			1371374
		Bits				1371375	

SALGSKONTORER LOCATIONS

HOLDING COMPANY

Øglaend Industrier AS
P.O. Box 133
NO-4358 Kleppe
Tel.: + 47 51 78 81 00
Fax: + 47 51 78 81 60
Email: ogvind@oglsys.no
www.oglaend-system.com

DATTERSELSKAP/SUBSIDIARY

Norway

Øglaend System AS
Head office/factory
P.O. Box 133
NO-4358 Kleppe
Tel.: + 47 51 78 81 00
Fax: + 47 51 78 81 60
Fax sales office: + 47 51 78 81 61
Email: oglaend@oglsys.no
www.oglaend-system.com

Denmark

Øglaend System ApS
Tel.: +45 86 88 66 66
Fax: +45 86 88 66 67
Email: oglaend-system@oglsys.dk

Dubai (Middle East)

Øglaend Industries Middle East
Tel.: + 971 4 3415986
Fax: + 971 4 3415987
Mobile: + 971 50 55 86 183
Email: oglaendsys_me@xsmall.com

Malaysia

Øglaend Industries SDN BHD
Tel.: + 60 3 51 922 049
Fax: + 60 3 51 922 039
Mobile: + 60 1 26 85 57 65
Email: sales@oglaendind.com
fraser@oglaendind.com

The Netherlands

Øglaend System BV
Tel.: + 31 1804 14 204
Fax: + 31 1804 19 395
Email: info@oglaend-system.nl

Russia (St. Petersburg)

Øglaend System Russia
Tel.: +7(812) 313 1580
Fax: +7(812) 313 1580
Email: info@oglsys.ru
www.oglaend-system.ru

Singapore (South East Asia)

Øglaend System Singapore Pte. Ltd.
Tel.: + 65 67 48 82 78
Fax: + 65 67 48 86 15
Email: oglaend.system@pacific.net.sg

Sweden

Øglaend System AB
Tel.: + 46 (0)40 45 74 60
Fax: + 46 (0)40 45 74 62
Email: oglaend-system@oglsys.se

UK

Øglaend System UK Ltd.
Tel.: + 44 121 552 9662
Fax: + 44 121 544 6627
Email: oglaend.system@oglsys.co.uk

USA

Øglaend System USA c/o Source IEC
Tel.: +1 281 882 8300
Fax: +1 281 882 8305
Email: graeme.morgan@oglsys-us.com

Korea

Øglaend System Korea Co Ltd
Tel.: + 82 518 320 761
Fax: + 82 518 320 762
Email: oglaend@oglaend-system.co.kr

SALGSKONTORER/SALES OFFICES

Norway

Øglaend System AS, Division Oslo:
Tel.: + 47 22 25 15 10
Fax: + 47 22 25 25 21

Øglaend System AS, Division Ålesund:

Tel.: + 47 70 19 09 50
Fax: + 47 70 19 09 51

Øglaend System AS, Division Trondheim:

Tel.: + 47 73 80 99 70
Fax: + 47 73 80 99 77

AGENTER - FORHANDLERE/ AGENTS - DISTRIBUTORS

Abu Dhabi

Proserv Albadie LLC
Tel.: + 971 26 27 73 70
Fax: + 971 29 27 79 72
Email: proserv@emirates.net.ae
www.proserv.no

Australia

J. T. Day Pty. Ltd.
Tel.: + 61 8 93 45 33 88
Fax: + 61 8 93 45 30 68
Email: enquiries@jtday.com.au
www.jtday.com.au

Brazil

M.O.TECH do Brazil
Tel.: + 55 21 2532 2101
Fax: + 55 21 2517 2437
Email: motech@motech.com.br
www.motech.com.br

Brunei

Shinba Integrated Engineering Services
Tel.: + 673 333-1489
Fax: + 675 333-6333
Email: info@shinbaies.com

Canada

Apel/CSA Enterprises
Tel.: + 1 902 450 5647
Fax: + 1 902 450 5286
Email: urquhart@csarep.com
www.csarep.com

NOSO Ltd.

Tel.: + 1 709 782 2645
Fax: + 1 709 782 0534
Email: mshinkle@coil.ca
www.noso.ca

Finland

Elmarino - Shipping OY
Tel.: + 358 22 54 61 00
Fax: + 358 22 54 62 76

Finn H&T Group Oy

Tel.: +358 45 630 4004
Fax: +358 3 5752550
Email: teppo.kuivanen@finnhtgroup.fi
www.finnhtgroup.fi

Iceland

Smith & Norland
Tel.: + 354 52 03 000
Fax: + 354 52 03 011
Email: sminor@sminor.is
www.sminor.is

Indonesia

PT. Multi Tarex Mulla
Tel.: + 62 21 3983 5337
Fax: + 62 21 3983 5340
Email: agus@multitarex.co.id
www.multitarex.com

Italy

Ecis Group
Tel.: +39 039 27881
Fax: +39 039 2781353
E-mail: seco@ecisgroup.it
www.ecisgroup.it

Malaysia

Esteem Link (Letrik Utama) SND BHD
Tel.: + 60 6 85 417 230, 430 580
Fax: + 60 6 85 414 352
Email: ellusb@tm.net.my

Thailand

Probility International Co Ltd.
Tel.: + 66 2 710 6146 Ext. 107
Fax: + 66 2 710 6147
Email: ak@probility.co.th
www.probility.co.th

USA (Texas and Louisiana)

Source IEC
Tel.: + 1 281 882 8300
Fax: + 1 281 882-8305
Email: bob.johnson@sourceiec.com
www.sourceiec.com

Vietnam

MT Corporatin
Tel.: + 848 821 0373
Fax: + 848 821 0358
Email: mail@mt-co.com



- ★ HEAD OFFICE AND FACTORY
- SUBSIDIARIES
- AGENTS - DISTRIBUTORS
- ▲ SALES OFFICES
- X FABRICATION FACILITIES

SIMPLY THE BEST!

Dette har vært vårt motto helt siden firmaet ble grunnlagt i 1977.
Ved å følge dette mottoet har vi blitt markedslederen innen våre felt – globalt.

Øglænd Systems mål er å utvikle systemer som er de beste, enkleste og mest økonomiske på markedet.

This has been our motto since the company was founded in 1977. By living up to the motto we have become the market leader in our field – worldwide.

Oglaend System´s goal is to develop systems that are better, simpler and more economic overall.



Konsern/Holding company:
Øglænd Industrier AS

Datterselskap/Subsidiary:
Øglænd System AS
Hovedkontor fabrikk/Head Office factory:
P.O. box 133, NO-4358 Kleppe,
Tel.: +47 51 78 81 00, Fax: (47) 51 78 81 60
Fax sales office: +47 51 78 81 61

