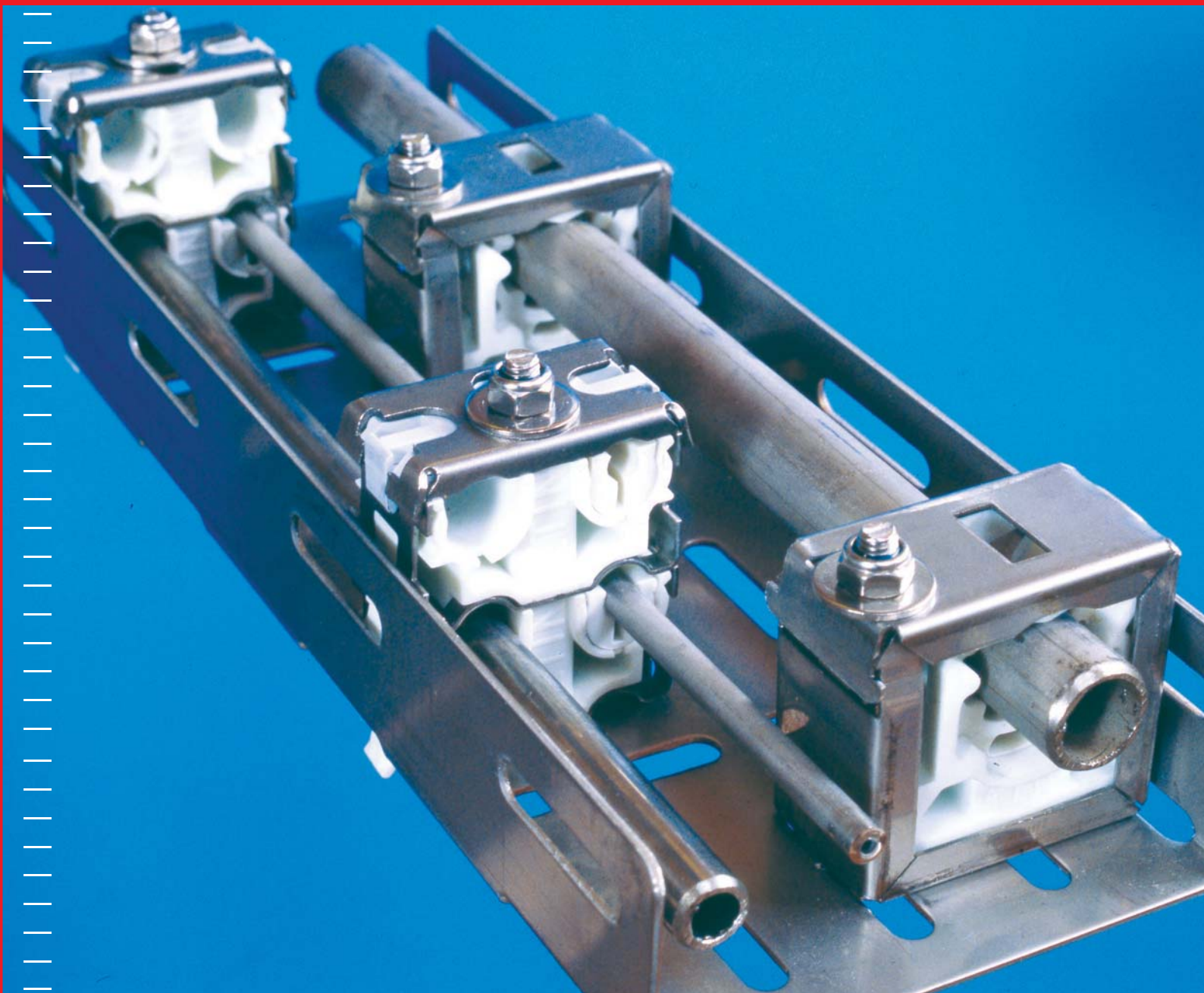


BEING SMART IS GOOD. BEING FIRST IS GOOD. BEING BOTH IS BETTER.

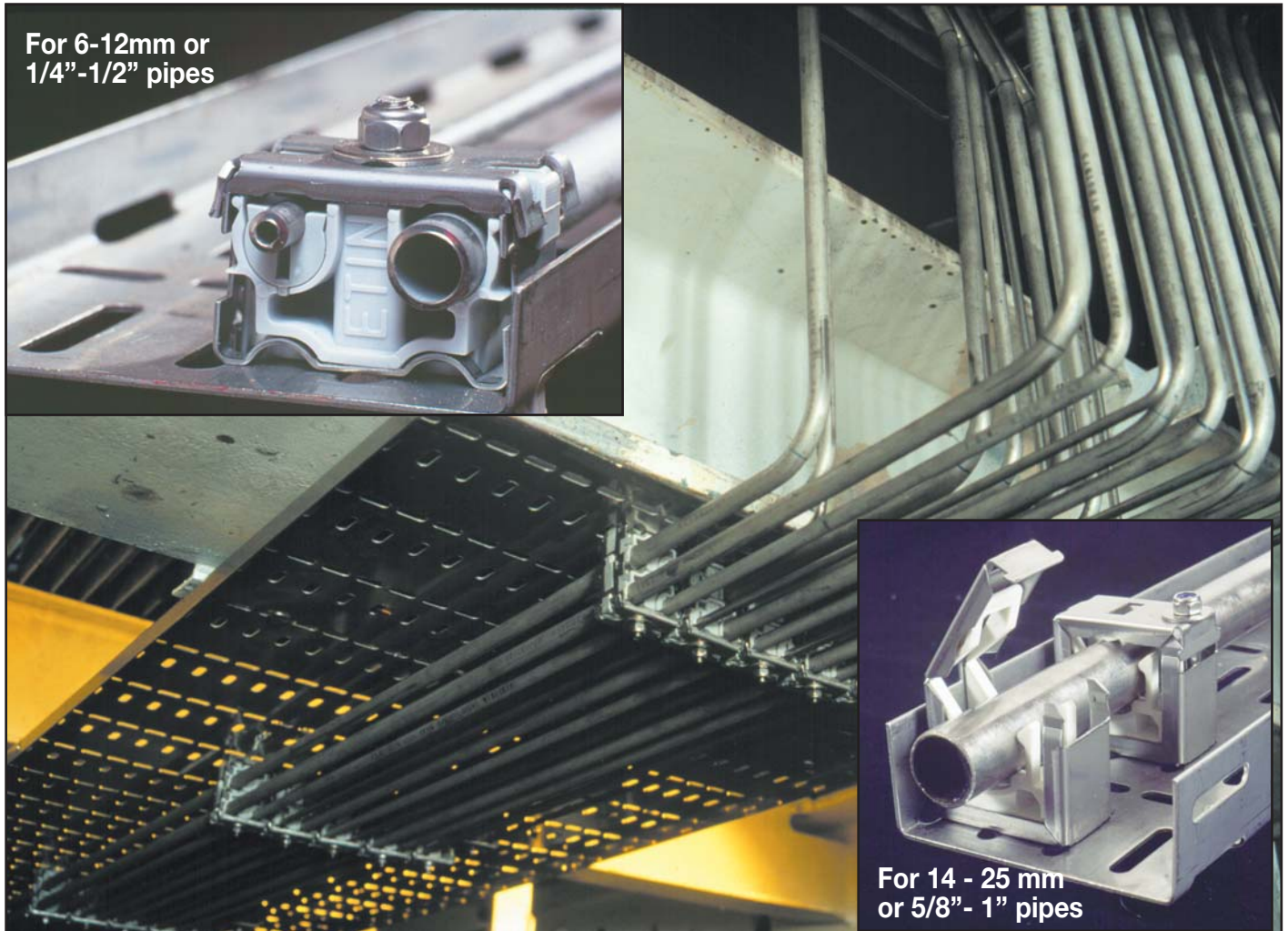


ETIN® TUBING CLAMPS

Snap together in no time

Oglaend System ETIN[®] tubing clamps

ETIN tubing clamps give 60-70% cost savings!



For 6-12mm or
1/4"-1/2" pipes

For 14 - 25 mm
or 5/8"- 1" pipes

MINIMAL MOUNTING TIME E.G. 3 PARTS PER TUBING PAIR FRONT-MOUNTED

Clamps for instrument tubing
(process/hydraulic/pneumatic).

Designed for inexpensive, easy and time-saving
assembly based on "press-lock" principle.

Adapted to all Oglaend System cable trays and cable
ladders and the most among others.

The ETIN Tubing Clamps are patented.
Manufactured by Oglaend System of Norway.
DNV certificate no. E-7043.

NS-ISO 9001 certified

Plastic material Flame Retardant on unreinforced
Nylon 66; meets UL94V-0 test. It does not contain
elemental phosphorus, halogens or heavy metals.

**Minor technical changes may be done without
further notice.**

SYMBOLER FOR LAGER / SYMBOLS FOR STOCK:

Art. no i 1/2-fet betyr:
3456789 = Lagerføres

Art. no i normal betyr:
3456789 = Leveringstid på foresp.

Art. no in 1/2-bold means:
3456789 = In stock

Art. no in normal means:
3456789 = Supply time on request

Front-mounted (by one hand)!

1. CLIP THE CLAMP

The clip secures the clamp to the tray. A great advantage when mounting above your head. Disassembling/moving is equally easy.

2. PRESS-LOCK TUBING

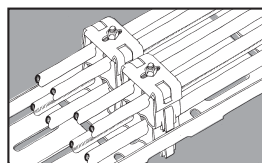
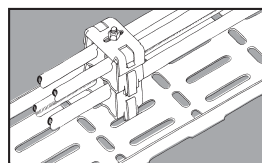
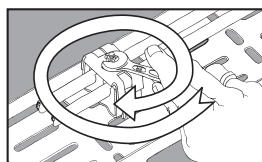
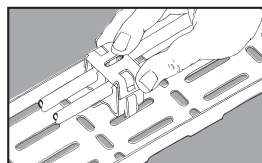
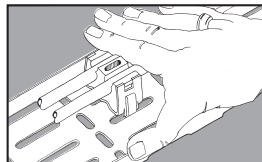
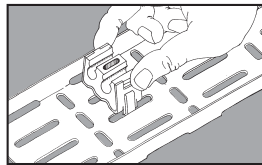
Press tubing into place in the clamp. The recess in the clamp jaw closes around the tubing securing it. The tubing is kept isolated from the steel jacket of the clamp.

3. CLIP COVER TIGHT

Clip the cover on to the clamp.

4. SELF-LOCKING BOLT

The locking bolt comes with a lock nut, ready for assembly. Put the specially designed bolt down through the centre hole. It will lock the clamp to the tray at the same time as you tighten the nut. Disassembly is done just as easily.



MAJOR JOBS GIVE THE BIGGEST COST SAVING WHEN USING ETIN CLAMPS.

The illustrations show the efficiency of the clamp when mounting large numbers of tubes. The ETIN clamp mounted on SPBE trays provides maximum use of space. An improved hole pattern without dead zones means that the entire width of the tray can be used. You can also install the clamps on all our ladder systems.

The parts are the same.

All you need to remember is:

Two different bolts, one cover per bolt, one clamp per tubing pair, and the tubing dimension.

ETIN CLAMPS ARE MANUFACTURED IN ACID-RESISTING STEEL AND PLASTIC

The clamp's material composition and design combine easy mounting with good attachment (press-lock).

A stainless steel spring jacket encloses a flexible plastic jaw. The plastic material absorbs noise and vibration, has a high melting point and is flame-retardant without emitting poisonous gases during fire.

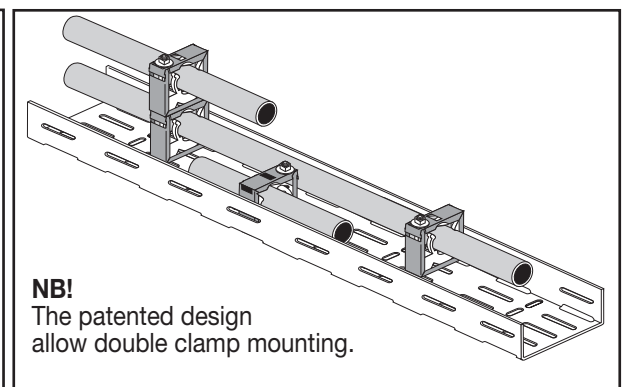
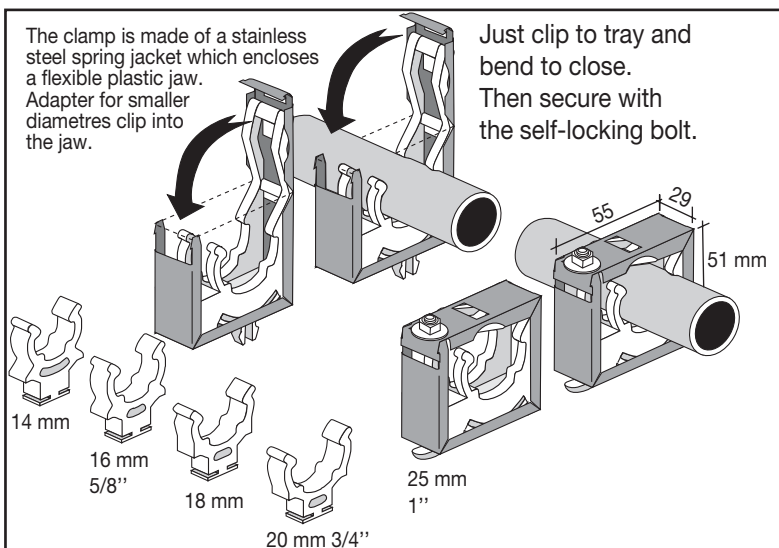
Zytel Nylon V-O is chemical-resistant and hardly influenced by normal temperatures or atmospheric conditions.

E.g.: 8 tubes = only 8 parts needed!

For 6-12mm or 1/4"-1/2" pipes

60-70% cost savings compared to traditional tubing clamps!
The ETIN tubing clamps are patented.

ETIN[®] tubing clamp For 14 - 25 mm / 5/8" - 1" pipes

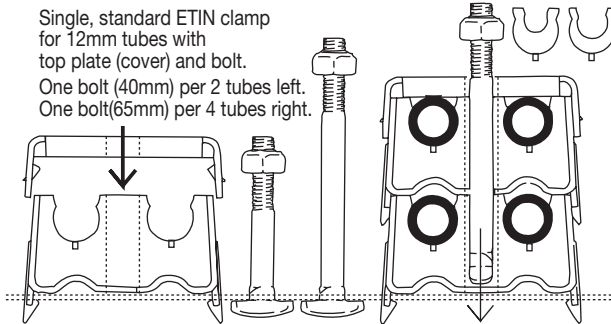


THE ONLY TOOL YOU NEED IS A 10 MM SPANNER

Compare ETIN[®] with competing clamps, it pays!

MANY PARTS COMPLICATES THE JOB

One of the common denominators of ETIN's competitors is many parts and/or little flexibility. Bolts with loose washers and nuts require nimble hands for support on the back side during mounting. Brackets, clamp jaws, top plates and lock plates are other loose parts that must be fitted on site. This will take a lot of man-hours increasing the cost of the work at all stages!



FEW PARTS ARE MORE EFFICIENT

The greatest benefit from using the Oglænd ETIN clamps are easier and quicker mounting. Few parts also simplify ordering, storage, delivery and handling and make it easier to supplement, provide better project control and greater flexibility. The ETIN clamps combine all these advantages with reasonable price. Mounted on the SPBE tray you also obtain minimum use of space.

Adapters for 3/8", 5/16" and 1/4" diameters.
Lugs lock adapter into clamps.

4 tubes = 4 parts Here you see four 12mm tubes mounted in a twin ETIN clamp with top plate and bolt, clipped together to a self-supporting unit. Insert the bolt through the hole. This locks the clamps to the tray.

THE ETIN CLAMPS ARE SAFE DURING FIRE

In the event of unnatural heating or fire the plastic core will melt and the tubing assembly will lie freely in the clamp's steel jacket. The steel jacket encloses the tubes so that they do not fall out, blocking escape routes. An important safety detail!

Plastic material Flame Retardant on unreinforced Nylon 66; meets UL94V-0 test. It does not contain elemental phosphorus, halogens or heavy metals.

Øglænd System ETIN has only advantages!

- It pays to use the ETIN from the very first clip!
- Compare the ETIN clamp with all competing clamps on the market.
- ETIN has been developed for better project economics.
- The largest jobs give you the greatest savings.
- Front-mounting is only one of the advantages.

ETIN TUBE CLAMP ORDERING LIST: For 6-12mm / 1/4"-1/2" pipes

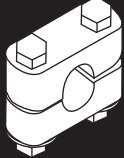
Metric tube (colour blue)				
FOR TUBE DIM.	Pack	Type	mm	Art. no.
10 mm	50	OE-CBM		1371829
ETIN TUBE CLAMP				
Metric tube (colour white)				
FOR MAX. TUBE DIM.	Pack	Type	mm	Art. no.
12mm	50	OE-CBM		1371825
ETIN TUBE CLAMP				
ADAPTER 12/10mm	50	OE-CAM 1		1371826
ADAPTER 12/8mm	50	OE-CAM 2		1371827
ADAPTER 12/6mm	50	OE-CAM 3		1371828
Imperial tube (colour grey)				
FOR MAX. TUBE DIM.		Type	inch	Art. no.
1/2"	50	OE-CBT		1371820
ETIN TUBE CLAMP				
ADAPTER 1/2-3/8"	50	OE-CAT 1		1371821
ADAPTER 1/2-5/16"	50	OE-CAT 2		1371822
ADAPTER 1/2-1/4"	50	OE-CAT 3		1371823
ETIN TOP PLATE				
	100	OE-CT		1371830
ETIN BOLTS IN SS				
COMPL. WITH NUTS	M6 x 40 (1 level)	100	OE-B1	1371831
	M6 x 65 (2 levels)	100	OE-B2	1371832
	M6 x 90 (3 levels)	50	OE-B3	1371833

For 14-25mm / 5/8"-1" pipes

Metric/Imperial tube				
FOR MAX. TUBE DIM.		Type		Art. no.
25mm/1"	30	OE-CB-25		1302634
ETIN TUBE CLAMP				
ADAPTER 14mm	30	OE-CA-14		1302635
ADAPTER 16mm / 5/8"	30	OE-CA-16		1302636
ADAPTER 18mm	30	OE-CA-18		1302637
ADAPTER 20mm / 3/4"	30	OE-CA-20		1302638
ETIN BOLTS IN SS				
COMPL. WITH NUTS	M6 x 61 (1 level)	30	OE-B4	1302639
	M6 x 110 (2 levels)	30	OE-B5	1302640

Comparison:

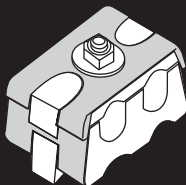
Old fashioned clamp:



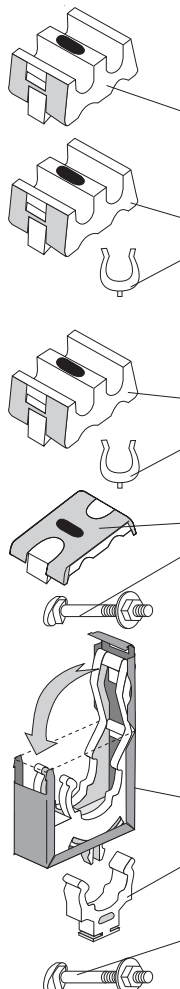
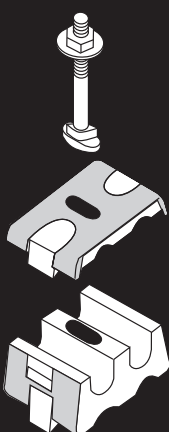
9 parts to fix 1 tube



ETIN CLAMP:



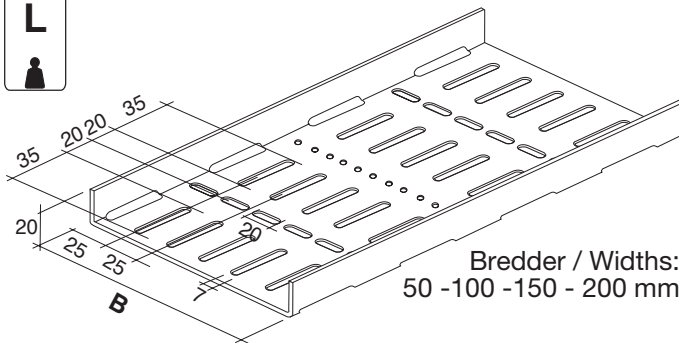
3 parts to fix 2 tubes



The ETIN Clamps fit to all of Ogleand System's cable ladders and trays
but the optimal solution give the SPBE trays.

Tray SPBE-20

LIGHT DUTY FOR TUBE INSTALLATION



Length: 3m
Material thickness: HDG and AL: 2,0 mm
PG: 1,5 mm(50-200) 2 mm(300-600)
SS: 1,5 mm
On request: Epoxy coated and special treatment.

Widths 3- 4- 5 and 600mm are supplied as standard.
SPBE (E = fits the ETIN).

LOADING TABLE SPBE-20

Width	Support spacing			
	0,5 m	1,0 m	1,5 m	2,0 m
50 mm	372 kg/m	93 kg/m	33 kg/m*	14 kg/m*
100 mm	320 kg/m	81 kg/m	36 kg/m	16 kg/m*
150 mm	320 kg/m	81 kg/m	36 kg/m	17 kg/m*
200 mm	320 kg/m	81 kg/m	36 kg/m	18 kg/m*

Material: 1,5mm SS.

The table indicates the maximum allowable uniformly distributed load. A safety factor of 2 is included.
Those marked with a (*) indicate the maximum permitted load with a deflection of 1% of the support spacing.

SPBE-20 order list:

Type state flange height + tray width.

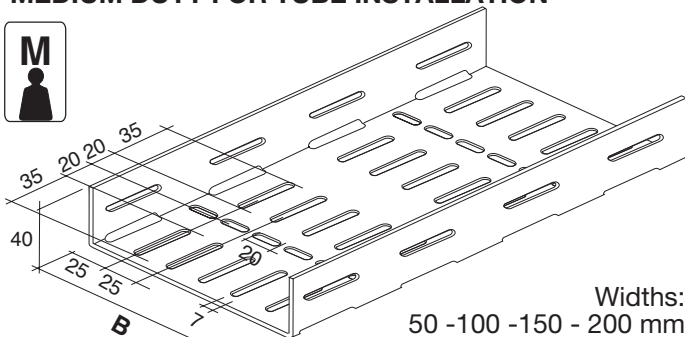
Type	PG* Art. no.	HDG Art. no.	SS Art. no.	AL* Art. no.	Weight SS
SPBE 20-50	1372201	1371400	1371408	1372217	0,9 kg/m
SPBE 20-100	1372203	1371401	1371409	1372219	1,4 kg/m
SPBE 20-150	1372205	1371402	1371410	1372221	1,9 kg/m
SPBE 20-200	1372207	1371403	1371411	1372223	2,4 kg/m

In PG* and AL* preslots for self tapping screws.

Preslotted holes for self tapping screws (study the slot designs) only in the material qualities PG* and AL*.

Tray SPBE-40

MEDIUM DUTY FOR TUBE INSTALLATION



Length: 3m
Material thickness: HDG and AL:
1,5 mm(50-100) 2 mm(150-200)
PG: 1,5 mm(50-200) 2 mm(300-600)
SS: 1,5 mm
On request: Epoxy coated and special treatment.

Widths 3- and 400mm are supplied as standard SPB.
SPBE (E = fits the ETIN).

LOADING TABLE SPBE-40

Width	Support spacing			
	1,0 m	1,5 m	2,0 m	2,5 m
50 mm	337 kg/m	150 kg/m	84 kg/m	54 kg/m
100 mm	345 kg/m	153 kg/m	86 kg/m	55 kg/m
150 mm	320 kg/m	144 kg/m	80 kg/m	52 kg/m
200 mm	320 kg/m	144 kg/m	80 kg/m	51 kg/m

Material: 1,5mm SS.

The table indicates the maximum allowable uniformly distributed load. A safety factor of 2 is included.

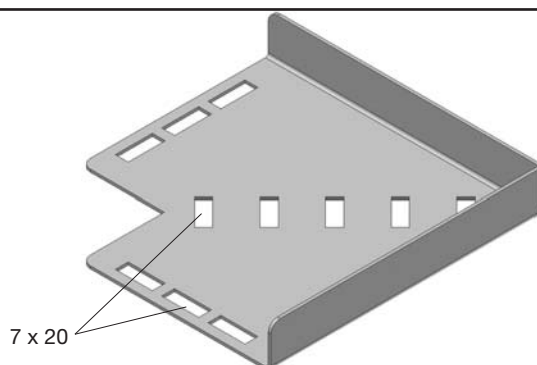
SPBE-40 order list:

Type state flange height + tray width.

Type	PG* Art. no.	HDG Art. no.	SS Art. no.	AL* Art. no.	Weight SS
SPBE 40-50	-	1371740	1371745	1372233	0,9 kg/m
SPBE 40-100	-	1371741	1371746	1372235	1,4 kg/m
SPBE 40-150	-	1371742	1371747	1372237	1,9 kg/m
SPBE 40-200	-	1371743	1371748	1372239	2,4 kg/m

In PG* and AL* preslots for self tapping screws.

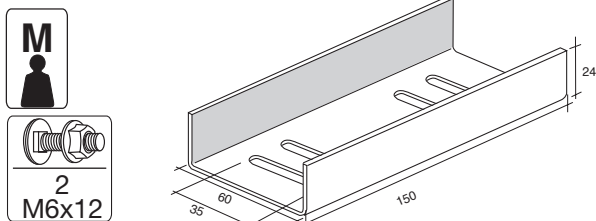
Preslotted holes for self tapping screws (study the slot designs) only in the material qualities PG* and AL*.



90° BEND FOR TUBING INSTALL.

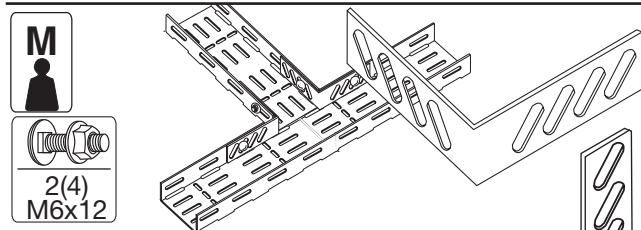
Type	HDG Art. no.	SS Art. no.	AL Art. no.	Weight SS
SPB 20-50-RB	1302175	1371835		0,12 kg
SPB 20-100-RB	1302176	1371836		0,28 kg
SPB 20-150-RB	1302177	1371837		0,52 kg
SPB 20-200-RB	1302178	1371838		0,82 kg
SPB 40-50-RB	1302180	1371840		0,18 kg
SPB 40-100-RB	1302181	1371841		0,36 kg
SPB 40-150-RB	1302182	1371842		0,61 kg
SPB 40-200-RB	1302183	1371843		0,89 kg

EQUIPMENT FOR TUBING INSTALLATIONS:



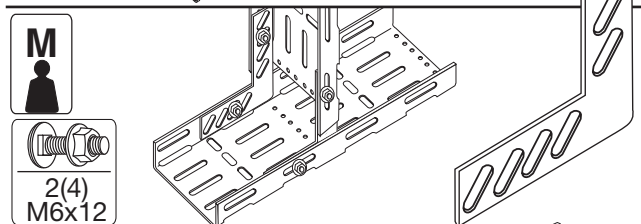
SKJØTEPLATE 50 mm bredder SPLICE PLATE 50 mm widths

Type	HDG Art. no.	SS Art. no.	AL Art. no.	Weight SS
SPB-CH50	1302166	1371812	77384	0,15 kg



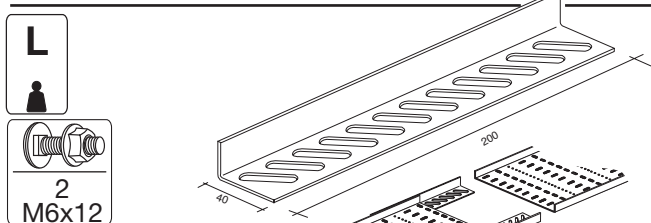
TUBING ANGLE FOR SPBE-40

Type	HDG Art. no.	SS Art. no.	AL Art. no.	Weight SS
SPB/RV-4 (for SPBE-40)	1302168	1371815		0,13 kg



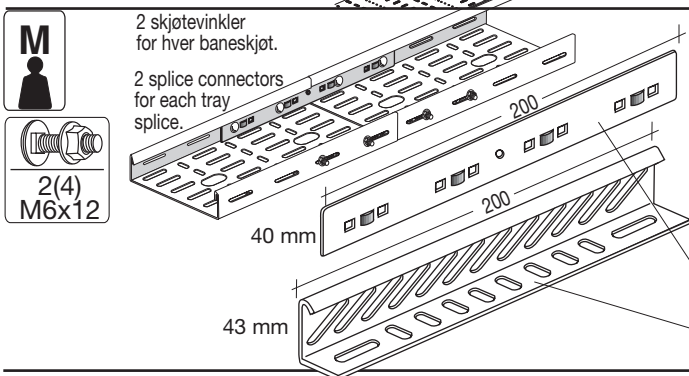
Vertical TUBING ANGLE SPBE-40

Type	HDG Art. no.	SS Art. no.	AL Art. no.	Weight SS
SPB/RV-4 (for SPBE-40)	1302185	1371845		0,1 kg



SKJØTEVINKEL for SPBE-20 SPLICE CONNECTOR to SPBE-20

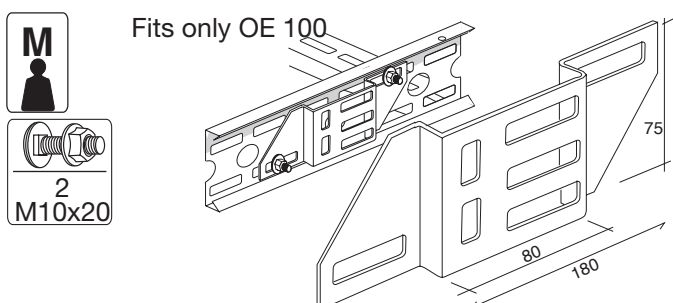
Type	HDG Art. no.	SS Art. no.	AL Art. no.	Weight SS
SPB-CH2	1371805	1371807	1372232	0,1 kg



SKJØTEVINKEL for SPBE-40 + SPB-RF SPLICE CONNECTOR to SPBE-40 + SPB-RF

Type	HDG Art. no.	SS Art. no.	AL Art. no.	Weight SS
SPB-CH-4		1371808		0,14 kg
SPBE-CH-4	1371806	77516	1372244	0,14 kg

ETIN BRACKETS FOR LADDER INSTALLATION:



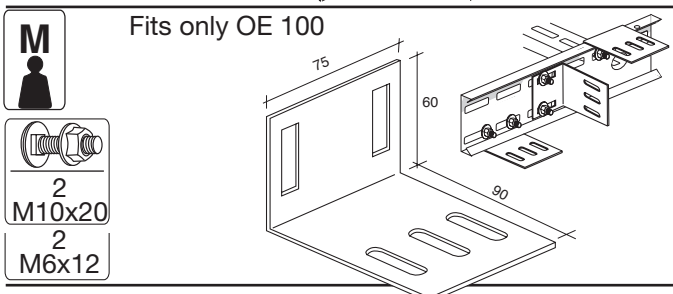
KLAMMER-BRAKETT for OE 100

For tubinginstallasjon på utsiden av OE-stigevangen, tilpasset ETIN rørklammersystem.

TUBING BRACKET for OE 100

For tubing installation on the outside of OE-sidepiece, adapted to the Etin tubing clamp system.

Type	HDG Art. no.	SS Art. no.	AL Art. no.	Weight SS
OE-TB	1302187	1371848	-	0,1 kg



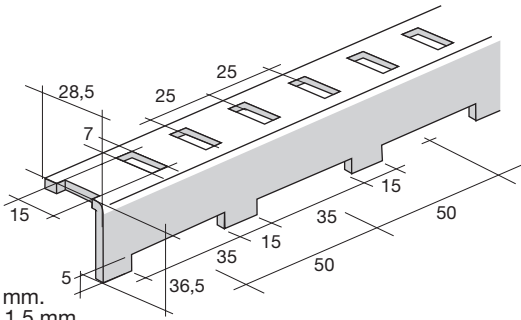
ENTRINGSBRAKETT for OE 100

For SPBE-baner.

BRACKET FOR ENTERING OE 100

For SPBE trays.

Type	HDG Art. no.	SS Art. no.	AL Art. no.	Weight SS
OE -SB	1302186	1371847	-	0,1 kg



Godstykkelse: 1,5 mm.
Materialthickness: 1,5 mm.

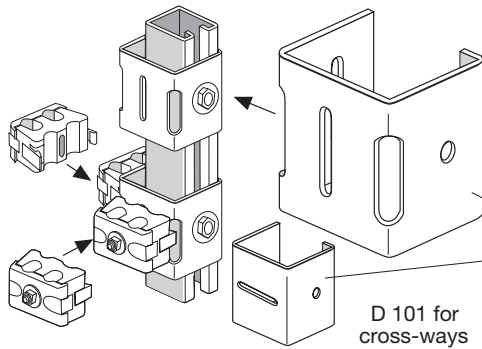
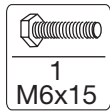
SVEISEPROFIL for tubing klammer

For rask og enkel tubing installasjon med ETIN tubing klammer. Leveres i 3m lengder.

WELDING PROFILE for tubing clamp

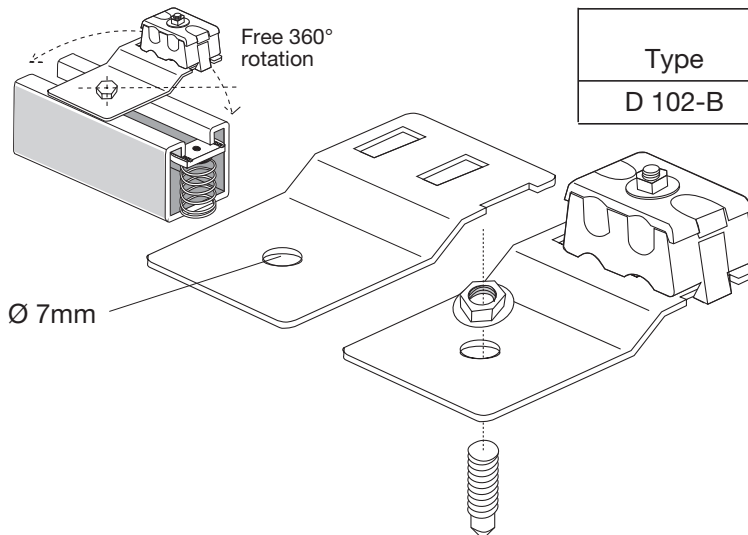
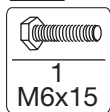
For quick and easy tubing installation with ETIN tubing clamp. Available in lengths of 3m.

Type	PG Art. no.	SS Art. no.	Vekt Weight
RZ- EP		78497	0,7 kg/m

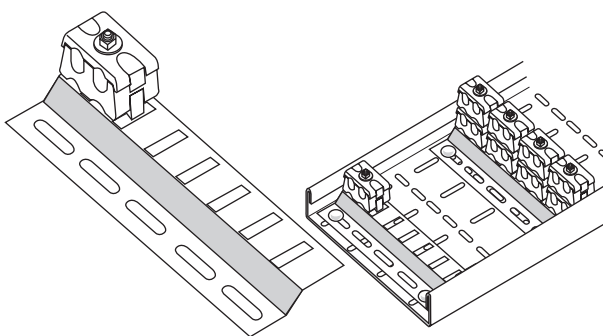


ETIN TUBING BRACKETS FOR UNO CHANNELS

Type	HDG Art. no.	SS Art. no.	AL Art. no.	Weight SS
D 100	1302190	1371849		0,13 kg
D 101	1302191	1302193		0,13 kg



Type	HDG Art. no.	SS Art. no.	AL Art. no.	Weight SS
D 102-B	1302192	1302194		0,1kg



ETIN TUBING PROFILE

Profilen passer alle banetyper og muliggjør installasjon av instrumentrør ved ETIN klammer.

ETIN TUBING PROFILE

This profile makes all types of trays suitable for installation of instrument tubing by ETIN clamp

Type - mm	HDG / Art. no.	SS / Art. no.
EAP-190	78590	1371850
EAP-3000	78890	1371438

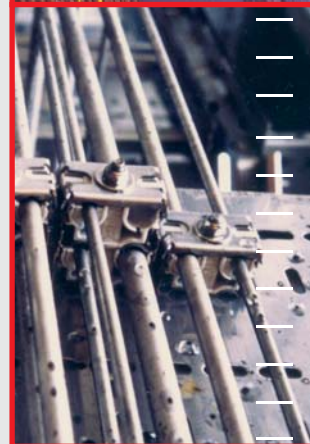
SIMPLY THE BEST!

Dette har vært vårt motto helt siden firmaet ble grunnlagt i 1977. Ved å følge dette mottoet har vi blitt markedslederen innen vårt felt – globalt.

Øglænd System har alltid vært ledende innen vårt felt. Vårt mål er å utvikle systemer som er de beste, enkleste og mest økonomiske på markedet.

This has been our motto since the company was founded in 1977. By living up to the motto we have become the market leader in our field – worldwide.

Oglaend System has always been a front runner in our field. Our goal is to develop systems that are better, simpler and more economic overall.



ADS NR 1.

Konsern/Holding company Øglænd Industrier AS, P.O. box 133, N-4358 Kleppe,
Tel.: +47 51 78 81 00, Fax: (47) 51 78 81 60

Datterselskap/Subsidiary Øglænd System AS
Hovedkontor fabrikk/Head Office factory: P.O. box 133, N-4358 Kleppe, Tel.: +47 51 78 81 00, Fax: (47) 51 78 81 60
Fax sales office: +47 51 78 81 61

