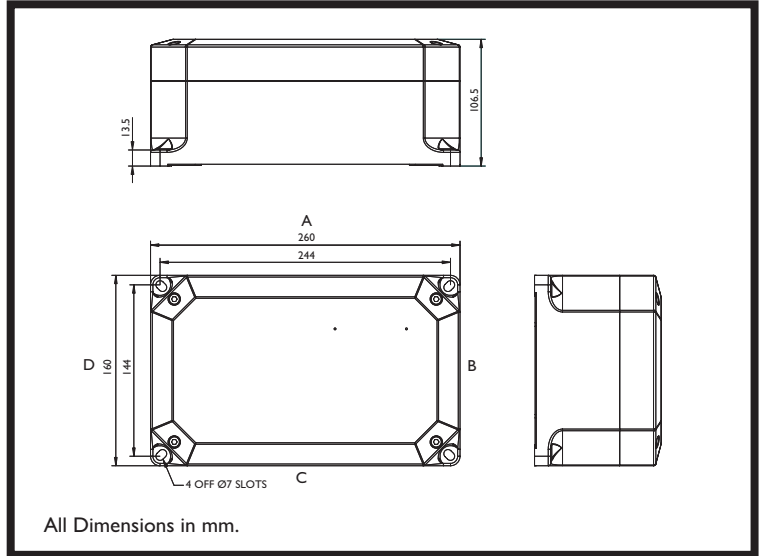


PL626

PL626 Increased Safety EExe



MAXIMUM QUANTITY OF ENTRIES

Thread Size	M16	M20/O	M20/A	M25	M32
Face A / C	9	9	7	4	3
Face B / D	3	3	3	2	1

Technical Data

- Increased Safety EExe. II 2 GD EExe II. PL626 Baseefa Certificate No. BAS 01 ATEX 2107X.
- ZPL626 (Empty) Baseefa Certificate No. BAS 01 ATEX 2107U.
- Suitable for use in Zone 1, Zone 2, Zone 21 & Zone 22.
- Construction and test standards EN 50014, EN 50019 and EN 50281-1-1. IEC 60079-0 and IEC 60079-7.
- IP66 and IP67 ingress protection to IEC 60529 and EN 60529.
- DTS01 deluge protection witnessed by BASEEFA2001.
- Operating temperature range -60°C to +75°C. Temperature Class and Ambient T6 40°C. Optional T5 with ambients up to 65°C.

TERMINAL CAPACITY DATA

Terminal Type	Conductor Size (mm ²)		Max. Volts	Max. No. of Terminals		High Power Applications	
	Min.	Max.		Terminal Quantity	Amps	Terminal Quantity	Amps
WDU 2.5	0.5	2.5	550	38	11	22	15
WDU 4	0.5	4	750	32	15	18	21
WDU 6	0.5	6	550	24	22	16	27
WDU 10	1.5	10	550	19	32	14	37
WDU 16*	1.5	16	550	16	43	12	49
WDU 35*	2.5	35	750	12	72	10	81

* Rail mounted directly on the base of the box.

Notes:

1. A combination of different sized entries is possible, please contact Hawke for more information.
2. The table above gives an indication of potential terminal arrangements. Please contact Hawke for information on other arrangements or empty enclosures.
3. A combination of different sized terminals is possible, please contact Hawke for more information.
4. Other terminal types are available.