

# PROTECTA

## Ex n FLUORESCENT NORMAL and EMERGENCY LIGHTING

## IEC Ex ZONE 2 and 22 APPLICATIONS

The Protecta Ex n luminaire combines the strength and integrity of the Zone 1 increased safety enclosure with a lamp and control gear package suitable for use in Zone 2 areas. The range is suitable for T8 tubular fluorescent lamps in the nominal 18W, 36W and 58W sizes. Protecta has excellent maintenance features as it is constructed using glass reinforced polyester (GRP) and polycarbonate which resist saline and other corrosive environments. A major feature of the luminaire is the strength of the enclosure and mounting points together with the very high degree of ingress protection afforded by the simple reliable construction. The protection is Ex n for ignitable gas applications and dust excluding, to IP6X, for use in ignitable dust applications. The ease of access to lamps and control gear means that installation and maintenance will be completed quickly and efficiently. The Protecta offers the facility of four cable entries. The standard range has electronic control gear. Conventional low loss control gear with electronic start is available as an option. An emergency version with 3 hour duration is available.



### Standard Specification

Type of Protection:	Ex nA (Non-sparking) Dust protected enclosure
Area Classification:	Zone 2 and Zone 22 areas to IEC 60079-10 and IEC 61241-3 with installation to IEC 60079-14 and IEC 61241-1-2
Apparatus Standard:	IEC 60079-15, 61241-1-1
Certificate:	IEC Ex ITS 03.0003
Coding:	Ex nA (refer to table for T rating and Ambient)
Enclosure:	GRP body with polycarbonate cover and brass suspension points
Reflector:	White polyester painted zinc coated steel
Entry:	4 x M20 cable entries, 2 at each end
Termination:	3 core 6mm <sup>2</sup> max. conductor with looping and 16A rating through wiring (4 core on emergency)
Installation:	Two M8 tapped brass inserts located on rear of body. (thread depth 12mm)
Lampholder:	G13 (Bi-pin)
Lamp Type:	T8 tubular fluorescent
Control Gear:	High Frequency ballast housed within sealed enclosure, Emergency - electronic charger/inverter housed in sealed enclosure, Ni-Cd batteries
Relamping:	Quick release diffuser clamp and hinged cover
Burning Position:	Universal
Ingress Protection:	IP66/67 to IEC 60529
Electrical Supply:	220-240V 50/60Hz
Battery:	Ni-Cd battery 6V 4Ah 5 cell
Duration:	3 hours
Emergency Output	36W 10% of one lamp

### Features

- Full length easy access diffuser clamp
- Simple rugged construction
- Hinged cover
- Shell/ERA deluge tested
- Standard fixing centres
- High frequency control gear gives 50/60Hz operation, high power factor correction and regulation of lamp output
- Easy access to suspended control gear tray



United Kingdom  
Benelux  
Abu Dhabi  
Singapore

Tel:- +44 (0) 141 882 5555  
Tel: +31 (0)302 467 132  
Tel: +971 2621 3496  
Tel: +65 451 4484

Fax:- +44 (0) 141 883 3704  
Fax: +31 (0) 302 467 133  
Fax: +971 2631 2152  
Fax: +65 451 1411

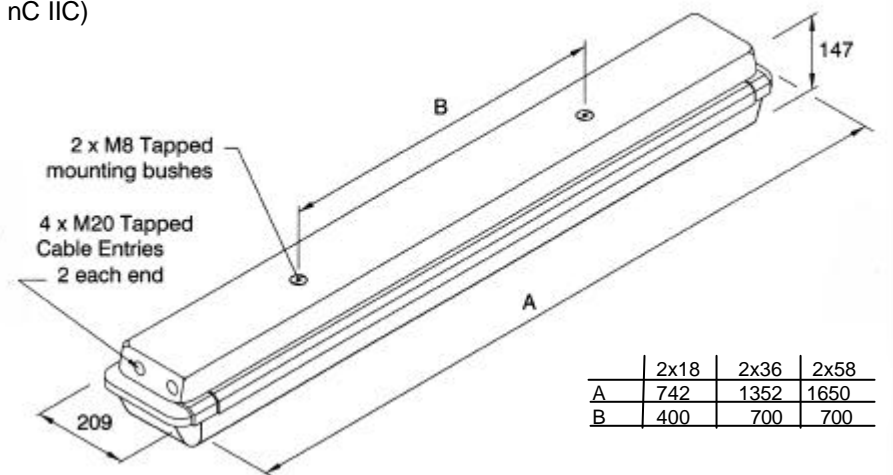
Email:- info@chalmit.com  
Email: john.van.straalen@planet.nl  
Email: rwood@emirates.net.ae  
Email: chalmits@singnet.com.sg

Std. Cat No.	Wattage	T Class (Gas)	T°C (Dust)	Ambient °C	Weight
PRGN/118/BI	1x18W	T4	95	50	5.9kg
PRGN/218/BI	2x18W	T4	95	50	6.2kg
PRGN/136/BI	1x36W	T4	95	50	9.6kg
PRGN/236/BI	2x36W	T4	95	50	10.0kg
PRGN/158/BI	1x58W	T4	95	50	12.0kg
PRGN/258/BI	2x58W	T4	95	50	12.2kg
PRGN/136/BI/EM	1x36W	T4	95	50	12.2kg
PRGN/236/BI/EM	2x36W	T4	95	50	12.6kg
PRGN/158/BI/EM	1x58W	T4	95	50	14.2kg
PRGN/258/BI/EM	2x58W	T4	95	50	14.6kg

\* T class and ambients vary for copper and iron control gear.

### Options - Suffix to Catalogue No.

/___	Specific voltage (220 or 254 only available with copper & iron gear)
/ES	Copper and iron control gear (Non-emergency only)
/60	60Hz (copper and iron versions only)
/M25	M25 Entries
/3P	Three phase termination
/MF	Mains fuse
/IS	Isolation switch (coding Ex nC IIC)



### Accessories (Should be ordered separately)

	Catalogue Order Code
Offset ceiling bracket assembly	SPRO4-0002
Pole mounting bracket assembly (38/50 diameter poles)	SPRO4-0003
C' form hook type ceiling bracket assembly	SPRO4-0005
Flush mounted wall bracket assembly	SPRO4-0006
18W wall mounting outreach bracket (use with SPRO4-0003)	NPRO4-0008
36W wall mounting outreach bracket (use with SPRO4-0003)	NPRO4-0012
Eyebolt brackets (set)	SPRO5-0005
Looping Kit (Allows looping from both ends of luminaire)	SPROT-0021



United Kingdom Tel:- +44 (0) 141 882 5555 Fax:- +44 (0) 141 883 3704  
 Benelux Tel: +31 (0)302 467 132 Fax: +31 (0) 302 467 133  
 Abu Dhabi Tel: +971 2621 3496 Fax: +971 2631 2152  
 Singapore Tel: +65 451 4484 Fax: +65 451 1411

Email:- info@chalmit.com  
 Email: john.van.straalen@planet.nl  
 Email: rwood@emirates.net.ae  
 Email: chalmits@singnet.com.sg