

# EVOLUTION

## Ex d FLOODLIGHT

The revolutionary Evolution concept is now highly valued for many applications where its use achieves optimum lighting levels with minimum maintenance costs. There are no exposed flameproof paths. The only essential flameproof path at the lampholder spigot is contained within the increased safety control gear and terminal chamber located at the end of the main flameproof lamp enclosure. This is accessed by a single captive screw in the hinged cover.

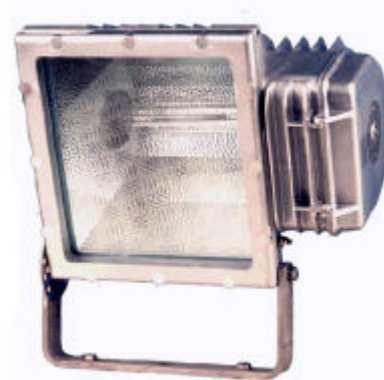
The protection is Ex de for ignitable gas applications and is dust excluding IP6X for use in combustible dust applications. Lamps up to 400W can be used and extended up to 600W with a separate Ex e control gear box.

Explosion protection for gas group IIC (Hydrogen) is standard and a low temperature version for gas group IIB at -50°C is available.

## Ex d Pendant High Bay

The Pendant version has simple mounting points and is designed for use in high bay applications.

## IEC Ex ZONE 1 and 21 APPLICATIONS



### Standard Specification

Type of Protection:	Ex de (Flameproof Increased Safety) Dust protected enclosure
Area Classification:	Zone 1 and Zone 21 areas to IEC 60079-10 and IEC 61241-3 with installation to IEC 60079-14 and IEC 61241-1-2 Gas Groups IIA, IIB and IIC
Apparatus Standard:	IEC 60079-0, 60079-1, 60079-7, 61241-1-1
Certificate:	IEC Ex ITS 03.0002
Coding:	Ex de IIC (refer to table for T rating and Ambient)
Enclosure:	Aluminium alloy AC-44100 (EN1706, ISO3522) All fastenings stainless steel. Toughened glass window
Reflector:	Wide beam, high purity anodised aluminium
Entry:	2 x M20 cable entries
Termination:	3 core 6mm <sup>2</sup> max. conductor with looping
Installation:	Stirrup mounting bracket with aiming quadrant
Control Gear:	Internal copper/iron with PFC correction capacitor
Relamping:	Access via hinged end cover on release of single screw
Lampholder:	E40 (R7s for linear Tungsten-Halogen)
Lamp Type:	HPS, Metal Halide or Tungsten-Halogen
Burning Position:	Universal for HID, +/-45° on horizontal plain for Tungsten-Halogen lamps
Ingress Protection:	IP66/67 to IEC 60529
Electrical Supply:	220, 230, 240, 254V 50Hz HPS & Metal Halide up to 270V Tungsten-Halogen 12V - 250V linear Tungsten-Halogen, 110V - 250V single ended Tungsten-Halogen

### Features

Installation in gas groups IIA, IIB and IIC

Easy and quick access for maintenance

Simple, rapid lamp replacement and flamepath inspection

Reduced maintenance due to no exposed flamepath

Exceptional photometric efficiency

Effective light distribution for many applications

Gost Approved

Cepel Approved



United Kingdom Tel:- +44 (0) 141 882 5555  
Benelux Tel: +31 (0)302 467 132  
Abu Dhabi Tel: +971 2621 3496  
Singapore Tel: +65 451 4484

Fax:- +44 (0) 141 883 3704  
Fax: +31 (0) 302 467 133  
Fax: +971 2631 2152  
Fax: +65 451 1411

Email:- info@chalmit.com  
Email: john.van.straalen@planet.nl  
Email: rwood@emirates.net.ae  
Email: chalmits@singnet.com.sg

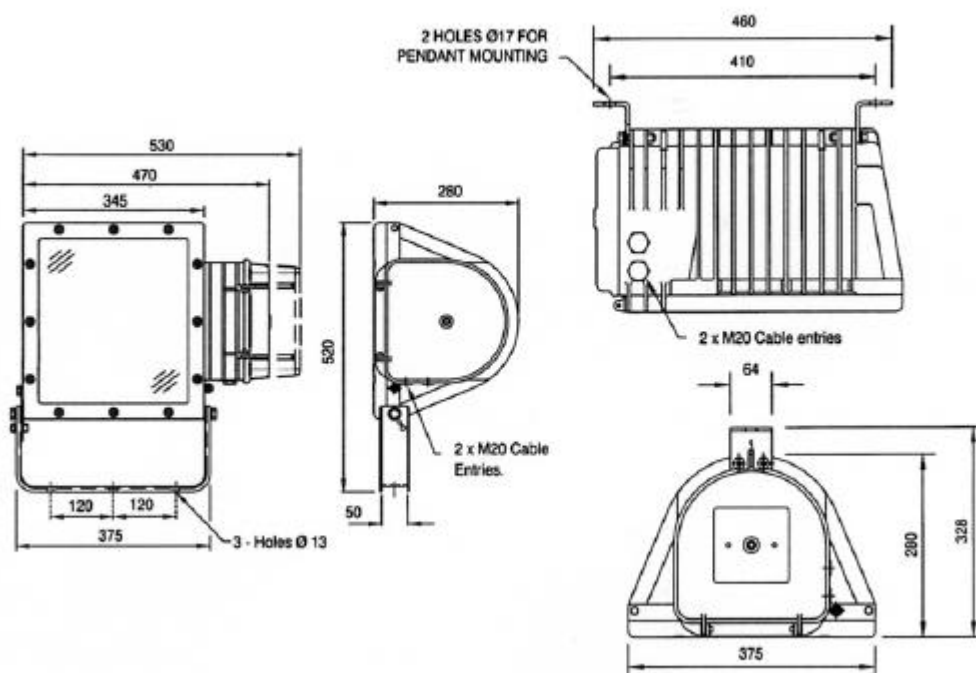
Std. Cat No.	Wattage	Lamp	Lampholder	T Class (Gas)	T °C (Dust)	Ambient °C	Weight
EVOD/150/MS	150W	HPS and Metal Halide	E40	T4	130	40	28kg
				T3	175	55	
EVOD/250/MS	250W	HPS and Metal Halide	E40	T4	130	40	28.5kg
				T3	175	55	
EVOD/400/MS	400W	HPS and Metal Halide	E40	T3	175	55	28.5kg
EVOD/600/HS*	600W	HPS	E40	T3	195	35	25kg
EVOD/500/TH	500W	Single Ended T/Halogen	E40	T3	195	40	25kg
EVOD/500/TL	500W	Linear T/Halogen	R7s	T3	195	55	25kg

\*Ignitor only fitted. Remote gear box required.

### For Pendant substitute EVPD for EVOD

#### Options - Suffix to Catalogue No.

/120	120V (Weight increase of +12kg)
/60	60Hz
/M25	M25 Entries
/N	Narrow beam reflector
/M	Medium beam reflector
/P	PTFE coating
/LT	Low temperature version -50°C (Gas groups IIA and IIB only)
/HB	Heavy duty stirrup bracket
/TI	Timed ignitor
/D	Dust protected (Only marked for dust when this option is added)



Accessories Should be ordered separately)

	Catalogue Order Code
284 retrofit bracket (allows Evolution to pick-up 284 fixings)	SEVO1-0001
Pole mounting brackets	SEVO4-0001
Anti-glare shield	SEVO4-0002
Wire guard	SEVO4-0003
Swing jib damper assembly	SEVO1-0015
Swinging jib bracket assembly	SEVO4-0009
120V Swinging jib bracket assembly	SEVO4-0012